

# BRP-Rotax

## ILLUSTRATED PARTS CATALOG

### Chapter) LEP

#### LIST OF EFFECTIVE PAGES

Chapter	Page	Date
	Title page	January 01 2017
TOC	TOC - 1	January 01 2017
	TOC - 2	January 01 2017
	TOC - 3	January 01 2017
	TOC - 4	January 01 2017
LEP	LEP - 1	June 01 2018
	LEP - 2	June 01 2018
	LEP - 3	March 01 2018
	LEP - 4	January 01 2017
TOA	TOA - 1	June 01 2018
	TOA - 2	June 01 2018
	TOA - 3	June 01 2018
	TOA - 4	March 01 2018
00-00-00	1	January 01 2017
	2	January 01 2017
	3	January 01 2017
	4	January 01 2017
	5	January 01 2017
	6	January 01 2017
	7	January 01 2017
	8	January 01 2017
	9	March 01 2018
	10	January 01 2017
	11	January 01 2017
	12	January 01 2017
	13	January 01 2017
	14	March 01 2018
	15	January 01 2017
	16	January 01 2017
	17	January 01 2017
	18	January 01 2017
	19	January 01 2017
	20	January 01 2017
	21	January 01 2017
	22	March 01 2018
	23	March 01 2018
	24	January 01 2017
24-20-00	1	January 01 2017
	2	January 01 2017
	3	March 01 2018
	4	March 01 2018
	5	March 01 2018
	6	January 01 2017

Chapter	Page	Date
24-30-00	1	January 01 2017
	2	January 01 2017
	3	March 01 2018
	4	March 01 2018
37-10-00	1	January 01 2017
	2	January 01 2017
	3	March 01 2018
	4	January 01 2017
61-20-00	1	January 01 2017
	2	January 01 2017
	3	March 01 2018
	4	March 01 2018
71-20-00	1	January 01 2017
	2	January 01 2017
	3	March 01 2018
	4	January 01 2017
72-10-00	1	January 01 2017
	2	June 01 2018
	3	January 01 2017
	4	June 01 2018
	5	June 01 2018
	6	June 01 2018
	7	June 01 2018
	8	June 01 2018
	9	June 01 2018
	10	January 01 2017
	11	June 01 2018
	12	January 01 2017

d06595.fm

# BRP-Rotax

## ILLUSTRATED PARTS CATALOG

Chapter	Page	Date
72-20-00	1	January 01 2017
	2	January 01 2017
	3	March 01 2018
	4	March 01 2018
	5	January 01 2017
	6	January 01 2017
	7	March 01 2018
	8	March 01 2018
	9	March 01 2018
	10	January 01 2017
	11	March 01 2018
	12	March 01 2018
	13	January 01 2017
	14	January 01 2017
	15	March 01 2018
	16	March 01 2018
	17	January 01 2017
	18	January 01 2017
	19	June 01 2018
	20	June 01 2018
	21	June 01 2018
	22	January 01 2017
73-00-00	1	January 01 2017
	2	January 01 2017
	3	January 01 2017
	4	January 01 2017
	5	January 01 2017
	6	January 01 2017
	7	March 01 2018
	8	March 01 2018
	9	March 01 2018
	10	March 01 2018
	11	January 01 2017
	12	January 01 2017
	13	March 01 2018
	14	January 01 2017
	15	March 01 2018
	16	March 01 2018

Chapter	Page	Date
73-10-00	1	January 01 2017
	2	January 01 2017
	3	March 01 2018
	4	March 01 2018
	5	January 01 2017
	6	January 01 2017
	7	January 01 2017
	8	March 01 2018
	9	January 01 2017
	10	January 01 2017
	11	January 01 2017
	12	January 01 2017
	13	March 01 2018
	14	March 01 2018
	15	March 01 2018
	16	March 01 2018
	17	January 01 2017
	18	January 01 2017
	19	March 01 2018
	20	January 01 2017
74-20-00	1	January 01 2017
	2	January 01 2017
	3	January 01 2017
	4	January 01 2017
	5	March 01 2018
	6	June 01 2018
	7	March 01 2018
	8	March 01 2018
	9	January 01 2017
	10	January 01 2017
75-20-00	1	January 01 2017
	2	January 01 2017
	3	March 01 2018
	4	March 01 2018
	5	January 01 2017
	6	January 01 2017
	7	January 01 2017
	8	March 01 2018
	9	January 01 2017
	10	March 01 2018
	11	March 01 2018
	12	March 01 2018
76-10-00	1	January 01 2017
	2	January 01 2017
	3	March 01 2018
	4	January 01 2017

d06595.fm

# BRP-Rotax

## ILLUSTRATED PARTS CATALOG

Chapter	Page	Date
76-20-00	1	January 01 2017
	2	January 01 2017
	3	January 01 2017
	4	January 01 2017
	5	January 01 2017
	6	January 01 2017
78-10-00	1	January 01 2017
	2	January 01 2017
	3	March 01 2018
	4	March 01 2018
	5	January 01 2017
	6	January 01 2017
	7	January 01 2017
	8	January 01 2017
	9	March 01 2018
	10	March 01 2018
	11	March 01 2018
	12	January 01 2017
79-20-00	1	January 01 2017
	2	January 01 2017
	3	January 01 2017
	4	January 01 2017
	5	January 01 2017
	6	January 01 2017
	7	January 01 2017
	8	March 01 2017
	9	June 01 2018
	10	June 01 2018
	11	January 01 2017
	12	January 01 2017
	13	January 01 2017
	14	March 01 2018
	15	January 01 2017
	16	January 01 2017
80-10-00	1	January 01 2017
	2	March 01 2018
	3	March 01 2018
	4	January 01 2017
	5	January 01 2017
	6	January 01 2017
	7	January 01 2017
	8	January 01 2017
	9	January 01 2017
	10	January 01 2017

d06595.fm

**BRP-Rotax**  
ILLUSTRATED PARTS CATALOG

NOTES

d06595.fm

# BRP-Rotax

## ILLUSTRATED PARTS CATALOG

### Chapter) TOA

#### TABLE OF AMENDMENTS

#### Approval\*

The technical content of this document is approved under the authority of DOA ref. EASA.21J.048.

current no.	chapter	page	date of change	remark of approval	date of approval from authorities	date of issue	signature
0	TOC	alle/all	January 01 2017	DOA*			
0	00-00-00	alle/all	January 01 2017	DOA*			
0	LEP	alle/all	January 01 2017	DOA*			
0	TOA	alle/all	January 01 2017	DOA*			
0	24-20-00	alle/all	January 01 2017	DOA*			
0	24-30-00	alle/all	January 01 2017	DOA*			
0	37-10-00	alle/all	January 01 2017	DOA*			
0	61-20-00	alle/all	January 01 2017	DOA*			
0	71-20-00	alle/all	January 01 2017	DOA*			
0	72-10-00	alle/all	January 01 2017	DOA*			
0	72-20-00	alle/all	January 01 2017	DOA*			
0	73-00-00	alle/all	January 01 2017	DOA*			
0	73-10-00	alle/all	January 01 2017	DOA*			
0	74-20-00	alle/all	January 01 2017	DOA*			
0	75-20-00	alle/all	January 01 2017	DOA*			
0	76-10-00	alle/all	January 01 2017	DOA*			
0	76-20-00	alle/all	January 01 2017	DOA*			
0	78-10-00	alle/all	January 01 2017	DOA*			
0	79-20-00	alle/all	January 01 2017	DOA*			
0	80-10-00	alle/all	January 01 2017	DOA*			
1	LEP	1,2,3	March 01 2017	DOA*			
1	TOA	1,2	March 01 2017	DOA*			
1	24-20-00	4	March 01 2017	DOA*			
1	72-10-00	7,8	March 01 2017	DOA*			
1	72-20-00	13	March 01 2017	DOA*			
1	79-20-00	8	March 01 2017	DOA*			
2	LEP	1,2,3	March 01 2018	DOA*			
2	TOA	1-4	March 01 2018	DOA*			
2	00-00-00	8,14,22,23	March 01 2018	DOA*			
2	24-20-00	3,4,5	March 01 2018	DOA*			
2	24-30-00	3,4	March 01 2018	DOA*			
2	37-10-00	3	March 01 2018	DOA*			
2	61-20-00	3,4	March 01 2018	DOA*			
2	71-20-00	3	March 01 2018	DOA*			
2	72-10-00	4-9	March 01 2018	DOA*			

d06596.fm

# BRP-Rotax

## ILLUSTRATED PARTS CATALOG

current no.	chapter	page	date of change	remark of approval	date of approval from authorities	date of issue	signature
2	72-20-00	3,4,7,8,9,11,	March 01 2018	DOA*			
2		12,15,16,19,	March 01 2018	DOA*			
2		20,21	March 01 2018	DOA*			
2	73-00-00	7-10,13,	March 01 2018	DOA*			
2		15,16	March 01 2018	DOA*			
2	73-10-00	3,4,8,13-16,	March 01 2018	DOA*			
2		19	March 01 2018	DOA*			
2	74-20-00	5-8	March 01 2018	DOA*			
2	75-20-00	3,4,8,10-12	March 01 2018	DOA*			
2	76-10-00	3	March 01 2018	DOA*			
2	78-10-00	3,4,9,10,11	March 01 2018	DOA*			
2	79-20-00	9,14	March 01 2018	DOA*			
2	80-10-00	2,3	March 01 2018	DOA*			
3	LEP	1	June 01 2018	DOA*			
3	TOA	1,2,3	June 01 2018	DOA*			
3	72-10-00	2,4-9,11	June 01 2018	DOA*			
3	72-20-00	19,20,21	June 01 2018	DOA*			
3	74-20-00	6	June 01 2018	DOA*			
3	79-20-00	9, 10	June 01 2018	DOA*			

# BRP-Rotax

## ILLUSTRATED PARTS CATALOG

### Chapter) TOA

#### Content

Summary of the relevant amendments in this context, but makes no claim to completeness.

current no.	chapter	page	date of change	comments
0	all	all	January 01/2017	New layout: documentation main language = English, upgrade of part numbers / part description and figures
1	24-20-00	4	March 01/2017	Correction of description
1	72-10-00	7	March 01/2017	Correction of part number
1	72-20-00	13	March 01/2017	Correction of legend
1	79-20-00	8	March 01/2017	Correction of illustration
2	00-00-00 to 80-10-00	see affected pages LEP	March 01/2018	Correction of illustration Correction of part number
3	72-10-00	2,4-9,11	June 01/2018	New Gearbox with oil spray nozzle assy.
3	72-20-00	19,20,21	June 01/2018	Correction of parts per engine
3	74-20-00	6	June 01/2018	Correction of parts per engine
3	79-20-00	9,10	June 01/2018	Correction of part number

d06596.fm

**BRP-Rotax**  
ILLUSTRATED PARTS CATALOG

NOTES

d06596.fm

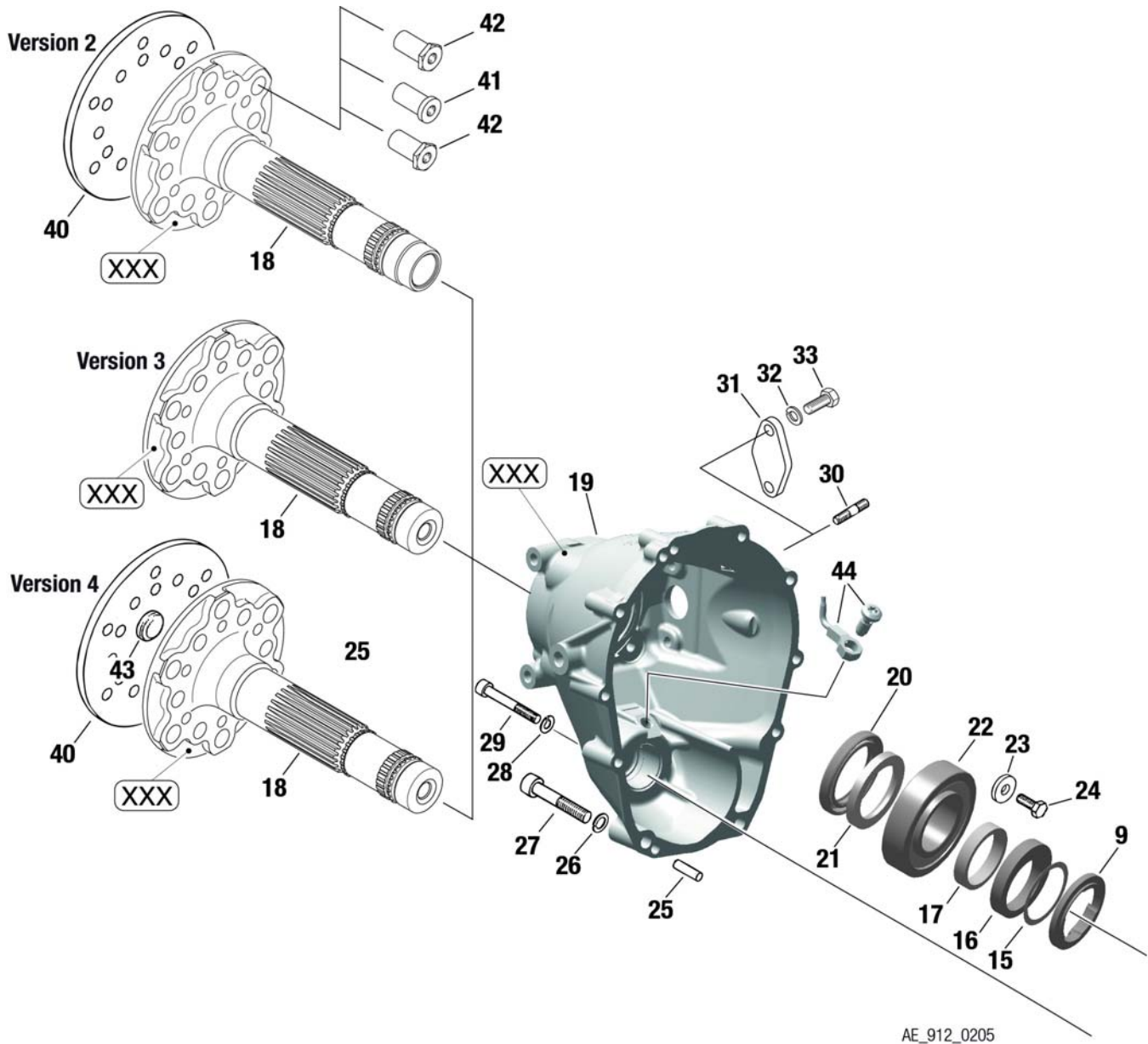


**BRP-Rotax**  
ILLUSTRATED PARTS CATALOG

NOTES

d06597.fm

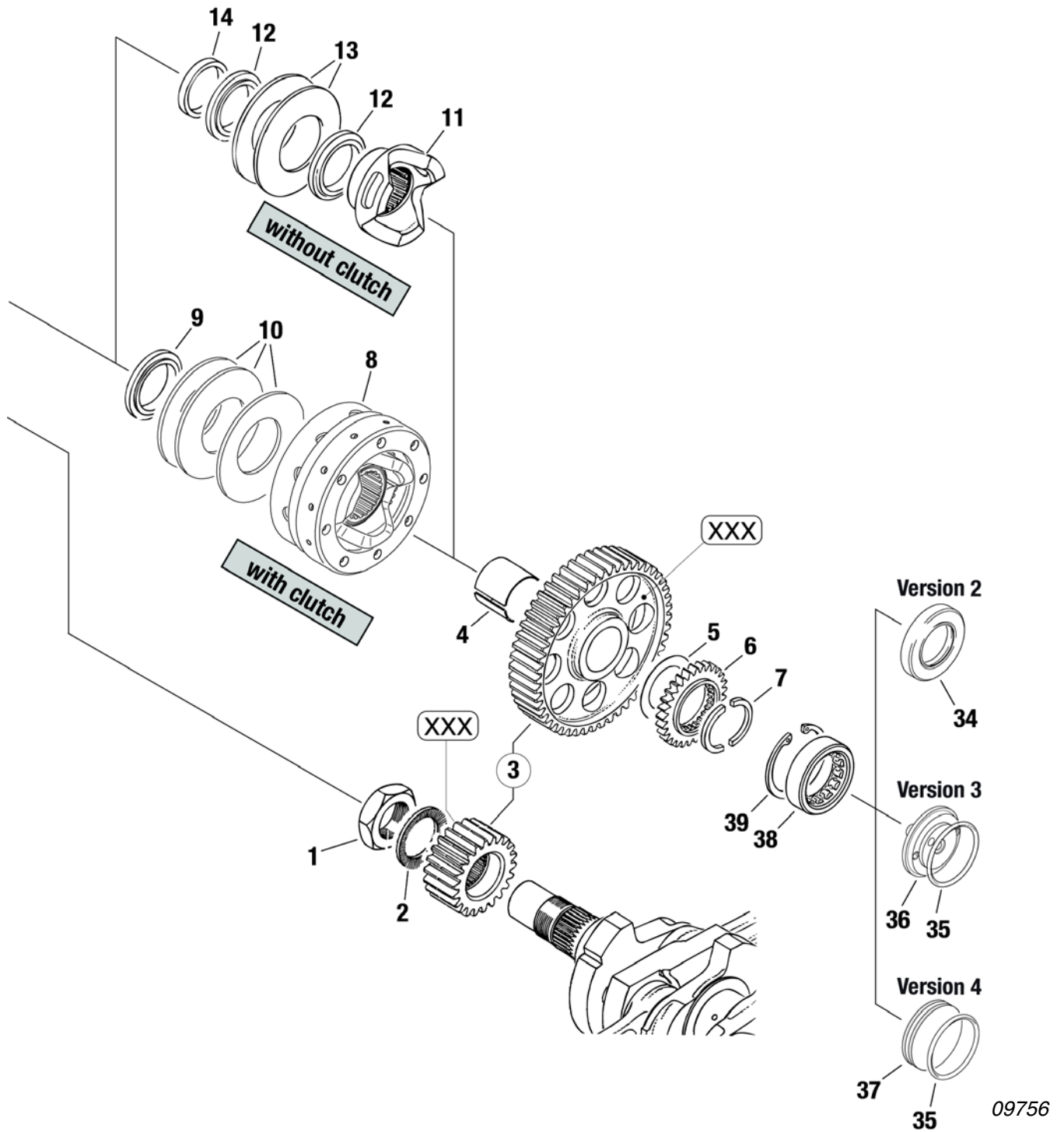
**BRP-Rotax**  
ILLUSTRATED PARTS CATALOG



AE\_912\_0205

**Fig. 72-10-00-1**

**BRP-Rotax**  
ILLUSTRATED PARTS CATALOG



**Fig. 72-10-00-2**

d06597.fm

**BRP-Rotax**  
ILLUSTRATED PARTS CATALOG

**Chapter) 72-10-00**  
**PROPELLER GEAR ASSY.**

FIG. & ITEM NO.	STATUS	PART NO.	Description	Parts per Engine						
				912 A	912 F	912 S	912 UL	912 ULS	914 F	914 UL
			<b>I = 2,27</b>							
WITHOUT POS. 1,2,34-39		887281	GEARBOX WITH CLUTCH 2.27-2	1Ap	1Ap		1Ap			
		887271	GEARBOX WITH CLUTCH 2.27-3	1Bp	1Bp		1Bp			
		887286	GEARBOX WITH CLUTCH 2.27-4	1Cp	1Cp		1Cp			
		996605	GEARBOX WITHOUT CLUTCH 2.27-2				1Ap			
		996609	GEARBOX WITHOUT CLUTCH 2.27-4				1Cp			
			<b>I = 2,43</b>							
WITHOUT POS. 1,2,34-39		887708	GEARBOX WITH CLUTCH 2.43-3	1p	1p	1Ep	1p	1Ep	1Ep	1Ep
		887703	GEARBOX WITH CLUTCH 2.43-2	1p	1p	1Dp	1p	1Dp	1Dp	1Dp
		887713	GEARBOX WITH CLUTCH 2.43-4	1p	1p	1Fp	1p	1Fp	1Fp	1Fp
		888560	GEARBOX WITHOUT CLUTCH 2.43-2				1Dp	1Dp		1Dp
		888565	GEARBOX WITHOUT CLUTCH 2.43-4				1Fp	1Fp		1Fp

- Items not illustrated

# BRP-Rotax

## ILLUSTRATED PARTS CATALOG

FIG. & ITEM NO.	STATUS	PART NO.	Description	Parts per Engine							
				912 A	912 F	912 S	912 UL	912 ULS	914 F	914 UL	
<b>I = 2,43</b>											
	n.a.	887701	GEARBOX WITH CLUTCH 2.43-2	(1)Aop	(1)Aop		(1)Aop		1Ao	1Aop	
		887703	GEARBOX WITH CLUTCH 2.43-2	(1)Gp	(1)Gp		(1)Gp		1G	1Gp	
	n.a.	887706	GEARBOX WITH CLUTCH 2.43-3	(1)Bop	(1)Bop		(1)Bop		1Bo	1Bop	
		887708	GEARBOX WITH CLUTCH 2.43-3	(1)Hp	(1)Hp		(1)Hp		1H	1Hp	
	n.a.	887711	GEARBOX WITH CLUTCH 2.43-4	(1)Cop	(1)Cop		(1)Cop		1Co	1Cop	
		887713	GEARBOX WITH CLUTCH 2.43-4	(1)lp	(1)lp		(1)lp		1l	1lp	
	n.a.	887680	GEARBOX WITHOUT CLUTCH 2.43-2				1Aop			1Aop	
		888560	GEARBOX WITHOUT CLUTCH 2.43-2				1Jp			1Jp	
	n.a.	887685	GEARBOX WITHOUT CLUTCH 2.43-4				1Cop			1Cop	
		888565	GEARBOX WITHOUT CLUTCH 2.43-4				1Kp			1Kp	

- Items not illustrated

FIG & ITEM NO.	STATUS	PART NO.	INDENT	Description	Parts per Engine						
					912 A	912 F	912 S	912 UL	912 ULS	914 F	914 UL
1, 2	1	842579	.1	HEX. NUT M30x1.5 12MM, LH	1	1	1	1	1	1	1
	2	N	.1	FRICTION WASHER VS30	1	1	1	1	1	1	1
	2	s.v.	.1	FRICTION WASHER VS30	1	1	1	1	1	1	1
	3		.1	GEAR SET I 2.27 narrow	1a	1a		1a			
	3	n.a.	.1	GEAR SET I 2.43 narrow	(1)h	(1)h		(1)h		1h	1h
	3		.1	GEAR SET I 2.43 wide, 7°	1b	1b	1b	1b	1b	1b	1b
	4		.1	BUSHING 31x33x29.8	1	1	1	1	1	1	1
	5		.1	THRUST WASHER 33.2/51/1.2	1	1	1	1	1	1	1
	6		.1	DRIVE GEAR 29 T.	1	1	1	1	1	1	1

d06597.fm

**BRP-Rotax**  
ILLUSTRATED PARTS CATALOG

FIG & ITEM NO.	STATUS	PART NO.	INDENT	Description	Parts per Engine							
					912 A	912 F	912 S	912 UL	912 ULS	914 F	914 UL	
7-10		996888	.1	CLUTCH ASSY. RETROFIT KIT <b>narrow</b>				1f				1fh
7-10		996889	.1	CLUTCH ASSY. RETROFIT KIT <b>wide, 7°</b>					1g			1gb
7		926035	..2	RING HALF	2	2	2	2	2	2	2	2
8		996885	..2	OVERLOAD CLUTCH ASSY. <b>narrow</b>	1m	1m		(1)m			1fh m	1fh m
8		996910	..2	OVERLOAD CLUTCH ASSY. <b>wide,7°</b>	1gm	1gm	1gm	1gm	(1)g m	1g m		(1)g m
9	N s.v.	847787 847786	..2	STEP COLLAR	1p	1p	1p	1p	1p	1p	1p	1p
10		838216	..2	DISK SPRING B80, 80x41x3	3	3	3	3	3	3	3	3
11		958891	.1	DOG HUB narrow				1fl				1fl
11		958893	.1	DOG HUB wide, 7°				1gl	1gl			1gl
12		847786	.1	STEP COLLAR	2	2	2	2	2	2	2	2
13		838216	.1	DISK SPRING B80, 80x41x3	2	2	2	2	2	2	2	2
14		847689	.1	SPACER 35.2/42/6				1	1			1
15		927401	.1	SHIM 35.4/43/0.2	AR	AR	AR	AR	AR	AR	AR	AR
15		927402	.1	SHIM 35.4/43/0.5	AR	AR	AR	AR	AR	AR	AR	AR
15		927403	.1	SHIM 35.4/43/1.0	AR	AR	AR	AR	AR	AR	AR	AR
16		848225	.1	ECCENTER	1	1	1	1	1	1	1	1
17		847687	.1	SPACER 35.2/42/8	1	1	1	1	1	1	1	1
18	N n.a.	837037 837289	.1	PROPELLER SHAFT SEALED	1e	1e	1e	1e	1e	1e	1e	1e
18	N n.a.	837035 837284	.1	PROPELLER SHAFT	1d	1d	1d	1d	1d	1d	1d	1d
18	N s.v.	937036 837285	.1	PROPELLER SHAFT	1c	1c	1c	1c	1c	1c	1c	1c
19		811957	.1	GEAR COVER ASSY.	1np	1np	1np	1np	1np	1np	1np	1np
20		950470	.1	OIL SEAL AS 40x55x7	1	1	1	1	1	1	1	1
21		926022	.1	SPACER RING 36/50/5.5	1	1	1	1	1	1	1	1

d06597.fm

# BRP-Rotax

## ILLUSTRATED PARTS CATALOG

FIG & ITEM NO.	STATUS	PART NO.	INDENT	Description	Parts per Engine						
					912 A	912 F	912 S	912 UL	912 ULS	914 F	914 UL
22		832578	.1	BALL BEARING 6207E TN6, 35-72-17	1	1	1	1	1	1	1
23		944320	.1	WASHER 7.2/18.8/3	4	4	4	4	4	4	4
24		941760	.1	HEX. SCREW M7x16	4	4	4	4	4	4	4
25		429230	.1	DOWEL 6x20	2	2	2	2	2	2	2
26	s.v.	944131	.1	WASHER 8	2q	2q	2q	2q	2q	2q	2q
27	s.v.	841562	.1	ALLEN SCREW M8x45	2q	2q	2q	2q	2q	2q	2q
27	s.v.	841561	.1	ALLEN SCREW M8x45	2q	2q	2q	2q	2q	2q	2q
27	N	940077	.1	HEX./TORX SCREW M8x45	2	2	2	2	2	2	2
28	N	827962	.1	WASHER A6.4	8	8	8	8	8	8	8
28	s.v.	945751	.1	LOCK WASHER A6	8	8	8	8	8	8	8
29	N s.v.	241823 241821	.1	ALLEN SCREW M6x45	8	8	8	8	8	8	8
30		940361	.1	STUD M8x23/14	2	2	2	2	2		
31		926151	.1	COVER						1	1
32	N s.v.	945832 945752	.1	LOCK WASHER A8	2	2	2	2	2	2	2
33	N s.v.	940592 940591	.1	HEX. SCREW M8x20						2k	2k
34		950200	.1	OIL SEAL 30x52x7	1	1	1	1	1	1	1
35		430175	.1	O-RING 46x3	1	1	1	1	1	1	1
36		810301	.1	OIL INLET FLANGE	1	1	1	1	1	1	1
37		810306	.1	OIL INLET COVER	1	1	1	1	1	1	1
38		232241	.1	ROLLER BEARING NJ 205 ECP C3	1	1	1	1	1	1	1
39		945820	.1	RETAINING RING 52x2	1	1	1	1	1	1	1
40		827837	.1	COVER DISK	AR	AR	AR	AR	AR	AR	AR
41		842634	.1	ROUND-NECK NUT SET M8	1i	1i	1i	1i	1i	1i	1i
42		842638	.1	ROUND-NECK NUT SET 5/16- 24 UNF	1i	1i	1i	1i	1i	1i	1i

d06597.fm

**BRP-Rotax**  
ILLUSTRATED PARTS CATALOG

FIG & ITEM NO.	STATUS	PART NO.	INDENT	Description	Parts per Engine						
					912 A	912 F	912 S	912 UL	912 ULS	914 F	914 UL
42		842639	.1	ROUND-NECK NUT SET 5/16-20 UNF	1i	1i	1i	1i	1i	1i	1i
43		244980	.1	SEALING COVER	1	1	1	1	1	1	1
44		456520	.1	OIL SPRAY NOZZLE ASSY.	1p	1p	1p	1p	1p	1p	1p

A For version 2 with narrow dog gear (22 mm / 0.87 in.)

B For version 3 with narrow dog gear (22 mm / 0.87 in.)

C For version 4 with narrow dog gear (22 mm / 0.87 in.)

D For version 2 with wide dog gear (27 mm / 1.06 in.); For 914 use only from following engine S/N:

914 F: 4420164

914 UL: 4417791

E For version 3 with wide dog gear (27 mm / 1.06 in.); For 914 use only from following engine S/N:

914 F: 4420164

914 UL: 4417791

F For version 4 with wide dog gear (27 mm / 1.06 in.); For 914 use only from following engine S/N:

914 F: 4420164

914 UL: 4417791

G Replacement for 887701 with wide dog gear

H Replacement for 887706 with wide dog gear

I Replacement for 887711 with wide dog gear

J Replacement for 887680 with wide dog gear

K Replacement for 888565 with wide dog gear

a Drive gear 22 T. and reduction gear 50 T. are paired and must be replaced together and marked with S/N. See SL-912-002 resp. SL-914-002.

b Drive gear 21 T. and reduction gear 51 T. are paired and must be replaced together and marked with S/N. With wide dog gear (27 mm / 1.06 in.); See SL-912-002 resp. SL-914-002; For 914 use only from following engine S/N:

912 S: starting with serial production

912 ULS: starting with serial production

914 F: 4420164

914 UL: 4417791

c For model 2 marked with S/N

d For model 3 marked with S/N

e For model 4 marked with S/N

f For gear sets part no. 886125 and 886517; (narrow versions)

g For gear set part no. 886518; (wide version)

d06597.fm



## BRP-Rotax

### ILLUSTRATED PARTS CATALOG

h Drive gear 21 T. and reduction gear 51 T. are paired and must be replaced together and marked with S/N. With thin dog gear (22 mm / 0.87 in.); See SL-912-002 resp. SL-014-002; For 914 use only up to S/N:

914 F: 4420163

914 UL: 4417790

i Do not use at version with auxiliary alternator; only available as a set (includes 6 pieces).

j Only when a governor is used;

k Version without governor: 2x940.591; with governor: see chapt. 61-20-00

l Dog hub with extended hub

m With additional bores to drain lead

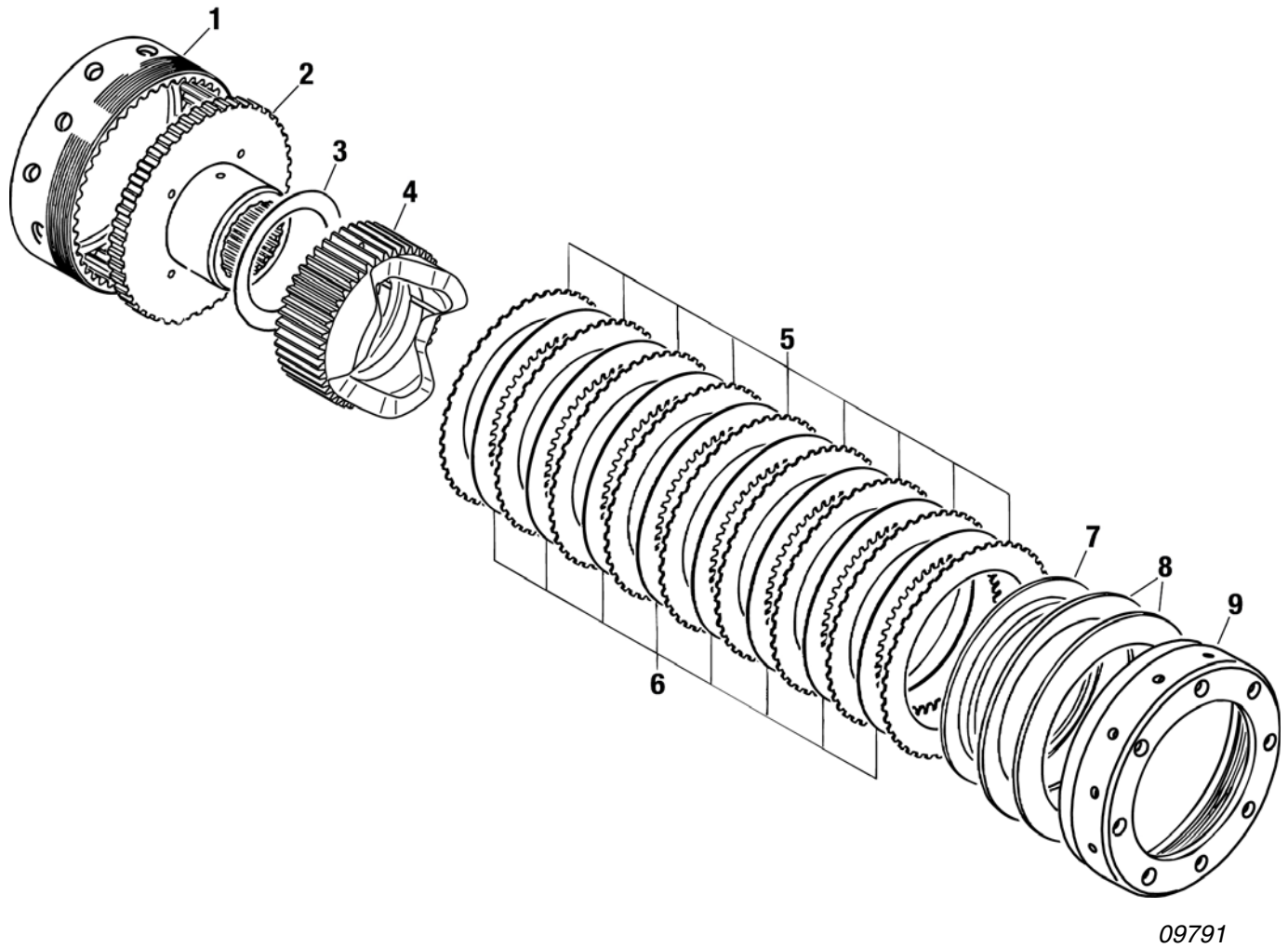
n Increased support bearing diameter

o See SL-912-002 current issue

p Gearbox with oil spray nozzle.  
Starting with Gearbox SN 74000.

q Replaced by hex. torx screw part no. 940077.

**BRP-Rotax**  
ILLUSTRATED PARTS CATALOG



**Fig. 72-10-00-3**

09791

# BRP-Rotax

## ILLUSTRATED PARTS CATALOG

### Chapter) 72-10-00 OVERLOAD CLUTCH

FIG. & ITEM NO.	STATUS	PART NO.	INDENT	Description	Parts per Engine						
					912 A	912 F	912 S	912 UL	912 ULS	914 F	914 UL
3 1-9		xxxxxx	.1	OVERLOAD CLUTCH ASSY. <b>narrow</b> ,see chapt. 72-10-00 page 6	1	1		1		1	1
1-9		xxxxxx	.1	OVERLOAD CLUTCH ASSY. <b>wide, 7°</b> ,see chapt. 72-10-00 page 6	1	1	1	1	1	1	1
1		958912	..2	CLUTCH DRUM	1c	1c	1c	1c	1c	1c	1c
2		958905	..2	CLUTCH HUB	1	1	1	1	1	1	1
3		944080	..2	THRUST WASHER 45.2/60/1	1	1	1	1	1	1	1
4		958920		DOG HUB <b>narrow</b>	1a	1a		1a		1a	1a
4		958924	..2	DOG HUB <b>wide, 7°</b>	(1d)	(1d)	1b	(1d)	1b	1b	1b
5		958932	..2	STEEL FRICTION PLATE 1.0 MM	9	9	9	9	9	9	9
6		958945	..2	SINTER FRICTION PLATE 1.8 MM	8	8	8	8	8	8	8
7		958951	..2	SUPPORT RING	1	1	1	1	1	1	1
8		838161	..2	DISK SPRING 100X76X2.7	2	2	2	2	2	2	2
9		842644	..2	COLLAR NUT M102X1.5	1ce	1ce	1ce	1ce	1ce	1ce	1ce

- Items not illustrated

- a For gear sets part no. 886125, 886517; thin dog gear (22 mm / 0.87 in.)
- b For gear set part no. 886518; wide dog gear (27 mm / 1.06 in.)
- c With additional bores to drain lead
- d Option for 912 A,F, UL fitted with 2,43 gear set
- e Improved centering of disc springs.

d06597.fm

**BRP-Rotax**  
ILLUSTRATED PARTS CATALOG

NOTES

d06597.fm

# BRP-Rotax

## ILLUSTRATED PARTS CATALOG

### Chapter) 72-20-00

#### CYLINDERHEAD, VALVE TRAIN, VALVE COVER

FIG. & ITEM NO.	STATUS	PART NO.	INDENT	Description	Parts per Engine						
					912 A	912 F	912 S	912 UL	912 ULS	914 F	914 UL
5 1	n.a.	413236 413235	.1	CYLINDER HEAD 2/3 ASSY.	2ao	2ao		2ao		2ao	2ao
1		413185	.1	CYLINDER HEAD 2/3 ASSY.			2ao		2ao		
2		413195	.1	CYLINDER HEAD 1/4 ASSY.			2b		2b		
2	n.a.	413246 413245	.1	CYLINDER HEAD 1/4 ASSY.	2b	2b		2b		2b	2b
3	n.a.	854101 854108	.1	INTAKE VALVE 38 MM	4	4	4	4	4	4	4
4	N	854113	.1	EXHAUST VALVE 32 MM						4p	4p
4	n.a.	854111 854118	.1	EXHAUST VALVE 32 MM	4	4	4	4	4	4	4
5		926210	.1	SHIM 16/27.9/1	8d	8d	8	8d	8	8d	8d
6		230810	.1	VALVE STEM SEAL	4	4	4	4	4	4	4
7	N n.a.	838156 838155	.1	VALVE SPRING	8d	8d	8	8d	8	8d	8d
8		854186	.1	VALVE SPRING RETAI- NER	8	8	8	8	8	8	8
9	n.a.	253092 253090	.1	VALVE COTTER	16	16	16	16	16	16	16
10		924440	.1	OIL RETURN TUBE	8	8	8	8	8	8	8
11		850930	.1	O-RING 16x5	8	8	8	8	8	8	8
12	N s.v.	854862 854861	.1	VALVE PUSH-ROD ASSY.	8	8	8	8	8	8	8
13	n.a.		.1	ROCKER ARM LEFT ASSY.	4e	4e	4e	4e	4e	4e	4e
14	n.a.		.1	ROCKER ARM RIGHT ASSY.	4e	4e	4e	4e	4e	4e	4e

- Items not illustrated

d06598.fm

# BRP-Rotax

## ILLUSTRATED PARTS CATALOG

FIG. & ITEM NO.	STATUS	PART NO.	INDENT	Description	Parts per Engine						
					912 A	912 F	912 S	912 UL	912 ULS	914 F	914 UL
15	s.v.	854195	.1	ROCKER ARM SHAFT	4	4	4	4	4	4	4
15		854193	.1	ROCKER ARM SHAFT	4	4	4	4	4	4	4
15		854197	.1	ROCKER ARM SHAFT	(4)f	(4)f	(4)f	(4)f	(4)f	(4)f	(4)f
16		854383	.1	ROCKER ARM LEFT ASSY.	4g	4g	4g	4g	4g	4g	4g
17		933396	.1	VESPEL BUSHING VESPEL	8g	8g	8g	8g	8g	8g	8g
18		854393	.1	ROCKER ARM RIGHT ASSY.	4g	4g	4g	4g	4g	4g	4g
19		612263	.1	VALVE COVER BLACK	4	4		4			
19		612262	.1	VALVE COVER RED						4	4
19		612260	.1	VALVE COVER GRUEN			4		4		
19	s.v.	612180	.1	VALVE COVER BLAU			4		4		
20-21		881920	.1	O-RING SET	1	1	1	1	1	1	1
20		430205	..2	O-RING 6.4x1.8	4	4	4	4	4	4	4
21		250285	..2	O-RING 105x2.5	4	4	4	4	4	4	4
22	N s.v.	927942 927941	.1	WASHER 6.0/12/1	4	4	4	4	4	4	4
23		840887	.1	ALLEN SCREW M6x30	4	4	4	4	4	4	4
24		253114	.1	INLET VALVE GUIDE	4h	4h	4h	4h	4h	4h	4h
25		854224	.1	INLET VALVE GUIDE	4i	4i	4i	4i	4i	4i	4i
26		245440	.1	RETAINING RING	8j	8j	8j	8j	8j	8j	8j
27		931920	.1	GASKET RING	ARk	ARk	ARk	ARk	ARk	ARk	ARk
28		881832	.1	HYDRAULIC VALVE TAPPET SET	1n	1n	1n	1n	1n	1n	1n
29		837196	.1	CAMSHAFT 227° ASSY.	1lm	1lm		1lm		1lm	1lm
29		837418	.1	CAMSHAFT 230° ASSY.			1lm		1lm		
30		xxxxxx	.1	See chapt. 75-20-00 fig. 1	1	1	1	1	1	1	1

- Items not illustrated

d06598.fm

# BRP-Rotax

## ILLUSTRATED PARTS CATALOG

- a for cylinder 2 and 3
- b for cylinder 1 and 4
- c Up to engine S/N  
912 A: 4,410.203  
912 F: 4,412.756  
912 UL: 4,401.879  
914 F: 4,420.038  
914 UL: 4,417.597  
Single valve springs and double valve springs if required are allowed to be mounted in one engine.
- d From engine S/N  
912 A: 4,410.204  
912 F: 4,412.757  
912 UL: 4,401.880  
914 F: 4,420.039  
914 UL: 4,417.598
- e With sintered bronze bushing
- f Oversize +0.2 mm (0.008 in.)
- g Rocker arm version with vespel bushing  
From engine S/N  
912 A: 4,410.472  
912 F: 4,412.817  
912 S: 4,922.768  
912 UL: 4,404.621  
912 ULS: 4,427.487  
914 F: 4,420.314  
914 UL: 4,418.104
- h for inlet valve, chafe up to new measurement
- i for outlet valve, chafe up to new measurement
- j

### NOTICE

Use only once!

- k for rework of exhaust port  
See Overhaul Manual of the respective engine type, current issue.
- l Marked with S/N
- m Without worm gear
- n pre-filled, 8 parts per set
- o Cylinder heads where the coolant temperature is measured.
- p see SI-914-30

**BRP-Rotax**  
ILLUSTRATED PARTS CATALOG

NOTES

d06598.fm



**BRP-Rotax**

ILLUSTRATED PARTS CATALOG

**Chapter) 74-20-00**

**DOUBLE IGNITION COIL ASSY., SMD- ELECTRONIC MODULE**

FIG. & ITEM NO.	STATUS	PART NO.	INDENT	Description	Parts per Engine						
					912 A	912 F	912 S	912 UL	912 ULS	914 F	914 UL
1, 2, 3	N s.v.	966219 966215	.1	DOUBLE IGNITION COIL	4s	4s		4s		4s	4s
1-5		966218	.1	DOUBLE IGNITION COIL ASSY.	4m	4m	4m	4m	4m	4m	4m
2		865710	..2	IGNITION CABLE 7 MM	ARa	ARa	ARa	ARa	ARa	ARa	ARa
3		860990	..2	PROTECTION HOSE 8x1	ARb	ARb	ARb	ARb	ARb	ARb	ARb
4		865710	..2	IGNITION CABLE 7 MM	ARc	ARc	ARc	ARc	ARc	ARc	ARc
5		860990	..2	PROTECTION HOSE 8x1	ARd	ARd	ARd	ARd	ARd	ARd	ARd
6		842740	.1	DISTANCE NUT M6x24	1	1		1			
6		842742	.1	DISTANCE NUT M6x22.5	(1)l	(1)l	1	(1)l	1	1	1
7		953390	.1	SEPARATING PLATE	(2)l	(2)l	2	(2)l	2	2	2
8	N s.v.	945831 945751	.1	LOCK WASHER A6	9p	9p	10p	9p	10p	9p	9p
9		840883	.1	ALLEN SCREW M6x30	2	2	2	2	2	2	2
10		953127	.1	IGNITION COIL BRACKET ASSY.	2	2	2	2	2	2	2
11		860710	.1	RUBBER BUFFER 25x19xM6	2	2	2	2	2	2	2
12		960060	.1	RUBBER BUFFER 25x15xM6	1	1	1	1	1	1	1
12		860710	.1	RUBBER BUFFER 25x19xM6	1i	1i		1i		1i	1i
13		247700	.1	SPACER 6.4/10/5	ARe	ARe	ARe	ARe	ARe	ARe	ARe
14		851260	.1	IGNITION COIL BRACKET 1	1	1	1	1	1	1	1
15	s.v.	240772 240771	.1	HEX. SCREW M6x10	2	2	2	2	2	2	2
16	N s.v.	241935 241930	.1	ALLEN SCREW M6x20	2	2	2	2	2	2	2
17		242211	.1	HEX. NUT M6	4	4	4	4	4	4	4

- Items not illustrated

d06599.fm

# BRP-Rotax

## ILLUSTRATED PARTS CATALOG

FIG. & ITEM NO.	STATUS	PART NO.	INDENT	Description	Parts per Engine						
					912 A	912 F	912 S	912 UL	912 ULS	914 F	914 UL
18	N s.v.	241237 241236	.1	ALLEN SCREW M6x16	3	3	3	3	3	3	3
19	n.a. N	965359 965446	.1	SMD-ELECTRONIC MODULE (4p+single con.)	2	2		2		2	2
20	n.a. N	966724 965440	.1	SMD-ELECTRONIC MODULE (6p+4p+single con.)			2f		2f		
20	n.a. N	966728 965442	.1	SMD-ELECTRONIC MODULE (6p+6p+single con.)						2m	2m
20	n.a. N	966729 965444	.1	SMD-ELECTRONIC MODULE (6p+6p+single con.)	2o	2o	2o	2o	2o		
21		827800	.1	WASHER A 5.5	1	1	1	1	1	1	1
22	N	945830	.1	LOCK WASHER A5	1	1	1	1	1	1	1
22	s.v.	945750	.1	LOCK WASHER A5	1	1	1	1	1	1	1
23		240186	.1	ALLEN SCREW M5x25	2	2	2	2	2	2	2
24		851118	.1	CABLE CLAMP 11.3/M5	1	1	1	1	1	1	1
25		965788	.1	MASS CABLE ASSY.	1	1	1	1	1	1	1
26		965781	.1	MASS CABLE ASSY.	2	2		2		2	2
27	N	241187	.1	HEX. SCREW M6x16	1	1	2	1	2	1	1
27	n.a.	241186	.1	HEX. SCREW M6x16	1	1	2	1	2	1	1
28		847792	.1	SPACER 8.4/12/30	1g	1g	1g	1g	1g	1g	1g
29		851266	.1	BRACKET	1g	1g	1g	1g	1g	1g	1g
29		851481	.1	BRACKET	1h	1h	1h	1h	1h	1h	1h
30		250311	.1	WASHER 8.4	1g	1g	1g	1g	1g	1g	1g
31	N s.v.	945832 945752	.1	LOCK WASHER A8	1g	1g	1g	1g	1g	1g	1g
32		240281	.1	HEX. SCREW M8x50	1g	1g	1g	1g	1g	1g	1g
32	N s.v.	440192 440191	.1	ALLEN SCREW M8x16	1h	1h	1h	1h	1h	1h	1h
33		851267	.1	BRACKET	1	1	1	1	1	1	1

- Items not illustrated

d06599.fm

# BRP-Rotax

## ILLUSTRATED PARTS CATALOG

FIG. & ITEM NO.	STATUS	PART NO.	INDENT	Description	Parts per Engine						
					912 A	912 F	912 S	912 UL	912 ULS	914 F	914 UL
2, 11 3		840461	.1	NIPPLE 13.2/9.5-M14x1.5	1			1	1		1
12		230387	.1	GASKET RING 14.2/18/2	1	1	1	1	1	1	1
13		956577	.1	ADAPTOR M18x1.5/M14x1.5	1	1	1	(1)	(1)	1	(1)
14		956641	.1	ADAPTOR 3/4-16 UNF/ M14x1.5	1	1	1	1	1	1	1
15		837127	.1	OIL PUMP SHAFT ASSY.						1	1
15		837129	.1	OIL PUMP SHAFT ASSY.	1	1	1	1	1		
16		232730	.1	NEEDLE PIN 4x15,8 G3	1	1	1	1	1	2	2
17		956278	.1	SUCTION INNER AND OUTER ROTOR ASSY.	1	1	1	1	1	1	1
18		430405	.1	O-RING 57x3	1	1	1	1	1	1	1
19		810592	.1	OIL PUMP HOUSING						1	1
20		256346	.1	PRESSURE INNER AND OU- TER ROTOR						1	1
21		430175	.1	O-RING 46x3						1	1
22		232431	.1	NEEDLE PIN B 4x29.8 G5						2	2
22		232731	.1	NEEDLE PIN B 4x15.8 G3	2	2	2	2	2		
23		911711	.1	OIL PUMP COVER	1	1	1	1	1	1	1
24		950410	.1	O-RING 30x2.5	1	1	1	1	1	1	1
25		250460	.1	O-RING 11x2.7	2	2	2	2	2	2	2
26	N s.v.	945831 945751	.1	LOCK WASHER A6	4	4	4	4	4	4	4
26	N s.v.	827962 827961	.1	Washer A6.4	4	4	4	4	4	4	4
27	N s.v.	241263 241261	.1	ALLEN SCREW M6x65	4	4	4	4	4	4	4
27	s.v.	241761 241763	.1	ALLEN SCREW M6x50	4	4	4	4	4		

d06648.fm

# BRP-Rotax

## ILLUSTRATED PARTS CATALOG

FIG. & ITEM NO.	STATUS	PART NO.	INDENT	Description	Parts per Engine						
					912 A	912 F	912 S	912 UL	912 ULS	914 F	914 UL
28		230150	.1	GASKET RING 10x14	2	2	2	2	2	7	7
29		641733	.1	PLUG SCREW M10x1	1	1	1	1	1		
30		xxxxxx	.1	See chapt. 61-20-00	1	1	1	1	1	1	1
31		847228	.1	DISTANZHUELSE 10,5/15/10 SPACER 10.5/15/10						1	1
32		xxxxxx	.1	See chapt. 78-10-00						1	1
33		940873	.1	BANJO BOLT M10x1x30						1	1
34		xxxxxx	.1	See chapt. 78-10-00						1	1
35		956314	.1	HOSE NIPPLE 4/6						1	1
36		940874	.1	BANJO BOLT M10x1x19	1	1	1	1	1		
37		965531	.1	TEMPERATURE SENSOR	1	1	1	1	1	1	1
38		xxx	.1	CONNECTOR SET OPS AND MAPS See chapt. 76-20-00	1d	1d	1d	1d	1d	1d	1d

d for oil pressure sensor part no. 456180

d06648.fm