

ILLUSTRATED PARTS CATALOG

FOR ROTAX[®] ENGINE TYPE 915 i A SERIES



WARNING

These technical data and the information embodied therein are the property of BRP-Rotax GmbH & CO KG, Austria, acc, BGBl 1984 no. 448, and shall not, without prior written permission of BRP-Rotax GmbH & Co KG, be disclosed in whole or in part to third parties. This legend shall be included on any reproduction of these data, in whole or in part. The Manual must remain with the engine/aircraft in case of sale.

ROTAX[®] is a trade mark of BRP-Rotax GmbH & Co KG. In the following document the short form of BRP-Rotax GmbH & Co KG = BRP-Rotax is used.

Other product names in this documentation are used purely for ease of identification and may be trademarks of the respective company or owner.

Copyright 2019 © - all rights reserved.

Translation into other languages might be performed in the course of language localization but does not lie within ROTAX[®] scope of responsibility.

In any case the original text in English language and the metric units are authoritative.

BRP-Rotax
ILLUSTRATED PARTS CATALOG

Table of Content

| | |
|----------------|---|
| Chapter | LEP – LIST OF EFFECTIVE PAGES |
| Chapter | TOA – TABLE OF AMENDMENTS |
| Chapter | 00-00-00 – INTRO |
| Chapter | 24-20-00 – IGNITION HOUSING, STATOR, RECTIFIER REGULATOR, CRANKSHAFT POSITION SENSOR ASSY. |
| Chapter | 24-30-00 – EXTERNAL GENERATOR F3A (ALL PARTS OPTIONAL) |
| Chapter | 61-20-00 – HYDR. GOVERNOR ARRANGEMENT FOR CONSTANT SPEED PROPELLER (OPTIONAL) |
| Chapter | 71-20-00 – ENGINE SUSPENSION FRAME |
| Chapter | 72-10-00 – PROPELLER GEAR ASSY., OVERLOAD CLUTCH |
| Chapter | 72-20-00 – CRANKCASE, CRANKSHAFT, PISTON, CYLINDER, SPRAG CLUTCH, CAMSHAFT, VALVE TRAIN, CYLINDER HEAD, VALVE COVER |
| Chapter | 73-10-00 – INTAKE MANIFOLD, AIRBOX, THROTTLE BODY SOCKET, INTERCOOLER, WASTEGATE, FUEL INJECTOR, FUEL RAIL, PRESSURE REGULATOR, FUEL RAIL COVER, FUEL PUMP ASSY. |
| Chapter | 74-20-00 – IGNITION COILS, IGNITION CABLE, SPARK PLUG CONNECTOR, SPARK PLUG |
| Chapter | 75-20-00 – WATER PUMP WITH DRIVE, EXPANSION TANK, COOLING AIR BAFFLE |
| Chapter | 76-10-00 – ENGINE CONTROL UNIT, FUSE BOX REGULATOR |
| Chapter | 76-50-00 – WIRING HARNESS |
| Chapter | 78-10-00 – EXHAUST SYSTEM, EXHAUST TEMPERATURE SENSOR |
| Chapter | 79-20-00 – OIL TANK, OIL PUMP ASSY., OIL FILTER, OIL TEMPERATURE SENSOR, OIL PRESSURE SENSOR, OIL SPRAY NOZZLE ASSY. |
| Chapter | 80-10-00 – ELECTRIC STARTER, STARTER RELAY |

BRP-Rotax
ILLUSTRATED PARTS CATALOG

INTENTIONALLY LEFT
BLANK

BRP-Rotax
ILLUSTRATED PARTS CATALOG

Chapter: LEP
LIST OF EFFECTIVE PAGES

Each new revision to the Illustrated Parts Catalog will have a new List of Effective Pages.

| Chapter | Page | Date |
|----------|------------|--------------|
| | Title page | |
| LEP | 1 | June 01 2019 |
| | 2 | June 01 2019 |
| | 3 | June 01 2019 |
| | 4 | June 01 2019 |
| TOA | 1 | June 01 2019 |
| | 2 | June 01 2019 |
| 00-00-00 | 1 | June 01 2019 |
| | 2 | June 01 2019 |
| | 3 | June 01 2019 |
| | 4 | June 01 2019 |
| | 5 | June 01 2019 |
| | 6 | June 01 2019 |
| | 7 | June 01 2019 |
| | 8 | June 01 2019 |
| | 9 | June 01 2019 |
| | 10 | June 01 2019 |
| | 11 | June 01 2019 |
| | 12 | June 01 2019 |
| | 13 | June 01 2019 |
| | 14 | June 01 2019 |
| | 15 | June 01 2019 |
| | 16 | June 01 2019 |
| | 17 | June 01 2019 |
| | 18 | June 01 2019 |
| | 19 | June 01 2019 |

| Chapter | Page | Date |
|----------|------|--------------|
| | 20 | June 01 2019 |
| | 21 | June 01 2019 |
| | 22 | June 01 2019 |
| 24-20-00 | 1 | June 01 2019 |
| | 2 | June 01 2019 |
| | 3 | June 01 2019 |
| | 4 | June 01 2019 |
| 24-30-00 | 1 | June 01 2019 |
| | 2 | June 01 2019 |
| | 3 | June 01 2019 |
| | 4 | June 01 2019 |
| 61-20-00 | 1 | June 01 2019 |
| | 2 | June 01 2019 |
| | 3 | June 01 2019 |
| | 4 | June 01 2019 |
| 71-20-00 | 1 | June 01 2019 |
| | 2 | June 01 2019 |
| | 3 | June 01 2019 |
| | 4 | June 01 2019 |
| 72-10-00 | 1 | June 01 2019 |
| | 2 | June 01 2019 |
| | 3 | June 01 2019 |
| | 4 | June 01 2019 |
| | 5 | June 01 2019 |
| | 6 | June 01 2019 |
| | 7 | June 01 2019 |

BRP-Rotax
ILLUSTRATED PARTS CATALOG

| Chapter | Page | Date |
|----------|------|--------------|
| 72-20-00 | 8 | June 01 2019 |
| | 1 | June 01 2019 |
| | 2 | June 01 2019 |
| | 3 | June 01 2019 |
| | 4 | June 01 2019 |
| | 5 | June 01 2019 |
| | 6 | June 01 2019 |
| | 7 | June 01 2019 |
| 73-10-00 | 8 | June 01 2019 |
| | 1 | June 01 2019 |
| | 2 | June 01 2019 |
| | 3 | June 01 2019 |
| | 4 | June 01 2019 |
| | 5 | June 01 2019 |
| | 6 | June 01 2019 |
| | 7 | June 01 2019 |
| | 8 | June 01 2019 |
| | 9 | June 01 2019 |
| | 10 | June 01 2019 |
| | 11 | June 01 2019 |
| 74-20-00 | 12 | June 01 2019 |
| | 1 | June 01 2019 |
| | 2 | June 01 2019 |
| | 3 | June 01 2019 |
| 75-20-00 | 4 | June 01 2019 |
| | 1 | June 01 2019 |
| | 2 | June 01 2019 |
| | 3 | June 01 2019 |
| | 4 | June 01 2019 |
| | 5 | June 01 2019 |

| Chapter | Page | Date |
|----------|--------------|--------------|
| 76-10-00 | 6 | June 01 2019 |
| | 7 | June 01 2019 |
| | 8 | June 01 2019 |
| | 1 | June 01 2019 |
| | 2 | June 01 2019 |
| | 3 | June 01 2019 |
| | 4 | June 01 2019 |
| | 5 | June 01 2019 |
| 76-50-00 | 6 | June 01 2019 |
| | 1 | June 01 2019 |
| | 2 | June 01 2019 |
| | 3 | June 01 2019 |
| 78-10-00 | 4 | June 01 2019 |
| | 1 | June 01 2019 |
| | 2 | June 01 2019 |
| | 3 | June 01 2019 |
| | 4 | June 01 2019 |
| | 5 | June 01 2019 |
| 79-20-00 | 6 | June 01 2019 |
| | 1 | June 01 2019 |
| | 2 | June 01 2019 |
| | 3 | June 01 2019 |
| | 4 | June 01 2019 |
| | 5 | June 01 2019 |
| | 6 | June 01 2019 |
| | 7 | June 01 2019 |
| | 8 | June 01 2019 |
| | 9 | June 01 2019 |
| | 10 | June 01 2019 |
| 11 | June 01 2019 | |

BRP-Rotax
ILLUSTRATED PARTS CATALOG

| Chapter | Page | Date |
|----------|------|--------------|
| 80-10-00 | 12 | June 01 2019 |
| | 1 | June 01 2019 |
| | 2 | June 01 2019 |
| | 3 | June 01 2019 |

| Chapter | Page | Date |
|---------|-----------|--------------|
| | 4 | June 01 2019 |
| | Index | |
| | Rear page | |

BRP-Rotax
ILLUSTRATED PARTS CATALOG

INTENTIONALLY LEFT
BLANK

BRP-Rotax
ILLUSTRATED PARTS CATALOG

Chapter: TOA
TABLE OF AMENDMENTS

Approval*
The technical content of this document is approved under the authority of DOA ref. EASA.21.J.048.
This document is part of the ICA for product [2019].

Edition 0/Rev. 0 Dec. 01 2017 Obsolete with Revision 1, which is a complete re-revision.

Rev. 1 June 01 2019

| Rev. no. | Chapter | Page | Date of change | Remark for approval | Date of approval from authorities | Date of inclusion | Signature |
|----------|----------|------|------------------|---------------------|-----------------------------------|-------------------|-----------|
| 0 | LEP | all | December 01 2017 | DOA* | | | |
| 0 | TOA | all | December 01 2017 | DOA* | | | |
| 0 | 00-00-00 | all | December 01 2017 | DOA* | | | |
| 0 | 24-20-00 | all | December 01 2017 | DOA* | | | |
| 0 | 24-30-00 | all | December 01 2017 | DOA* | | | |
| 0 | 61-20-00 | all | December 01 2017 | DOA* | | | |
| 0 | 71-20-00 | all | December 01 2017 | DOA* | | | |
| 0 | 72-10-00 | all | December 01 2017 | DOA* | | | |
| 0 | 72-20-00 | all | December 01 2017 | DOA* | | | |
| 0 | 73-10-00 | all | December 01 2017 | DOA* | | | |
| 0 | 74-20-00 | all | December 01 2017 | DOA* | | | |
| 0 | 75-20-00 | all | December 01 2017 | DOA* | | | |
| 0 | 76-10-00 | all | December 01 2017 | DOA* | | | |
| 0 | 76-50-00 | all | December 01 2017 | DOA* | | | |
| 0 | 78-10-00 | all | December 01 2017 | DOA* | | | |
| 0 | 79-20-00 | all | December 01 2017 | DOA* | | | |
| 0 | 80-10-00 | all | December 01 2017 | DOA* | | | |

BRP-Rotax
ILLUSTRATED PARTS CATALOG

| Rev no. | Chapter | Page | Date of change | Remark for approval | Date of approval from authorities | Date of inclusion | Signature |
|---------|----------|----------------------|----------------|---------------------|-----------------------------------|-------------------|-----------|
| 1 | LEP | all | June 01 2019 | DOA* | | | |
| 1 | TOA | all | June 01 2019 | DOA* | | | |
| 1 | 00-00-00 | 20 | June 01 2019 | DOA* | | | |
| 1 | 24-20-00 | 2-4 | June 01 2019 | DOA* | | | |
| 1 | 24-30-00 | 3 | June 01 2019 | DOA* | | | |
| 1 | 61-20-00 | 2,4 | June 01 2019 | DOA* | | | |
| 1 | 71-20-00 | 3 | June 01 2019 | DOA* | | | |
| 1 | 72-10-00 | 2-7 | June 01 2019 | DOA* | | | |
| 1 | 72-20-00 | 3,5-8 | June 01 2019 | DOA* | | | |
| 1 | 73-10-00 | 2,3,5-9,11 | June 01 2019 | DOA* | | | |
| 1 | 74-20-00 | 2-3 | June 01 2019 | DOA* | | | |
| 1 | 75-20-00 | 3,5 | June 01 2019 | DOA* | | | |
| 1 | 76-10-00 | 2-5 | June 01 2019 | DOA* | | | |
| 1 | 76-50-00 | 2-4 | June 01 2019 | DOA* | | | |
| 1 | 78-10-00 | 2-5 | June 01 2019 | DOA* | | | |
| 1 | 79-20-00 | 2-4, 6, 7, 9, 11, 12 | June 01 2019 | DOA* | | | |
| 1 | 80-10-00 | 2,3 | June 01 2019 | DOA* | | | |

Summary of amendments

Summary of the relevant amendments in this context, but without any claim to completeness.

| Rev. no. | Chapter | Page | Date of change | Comment |
|----------|-----------|------|----------------|--|
| 1 | 72-10-00 | 2-7 | June 01 2019 | Introduction of engine configuration 2 parts |
| 1 | all other | - | June 01 2019 | New part numbers due to supplier change or further development |

BRP-Rotax
ILLUSTRATED PARTS CATALOG

Chapter: 00-00-00
INTRO

TOPICS IN THIS CHAPTER

| | |
|--|-----------|
| GENERAL NOTE | 2 |
| INTRODUCTION | 3 |
| PARTS ORDER | 3 |
| Engine view and denomination of the cylinders | 4 |
| Repeating symbols | 5 |
| Structure | 6 |
| REPAIR TOOLS | 8 |
| LUBRICANTS | 18 |
| DOCUMENTATION, LABELS, GASKET SETS | 20 |

BRP-Rotax
ILLUSTRATED PARTS CATALOG

GENERAL NOTE

Modification The information and components-/system descriptions contained in this Illustrated Parts Catalog are correct at the time of publication.
BRP-Rotax, however, maintains a policy of continuous improvement of its products without imposing upon itself any obligation to install them on its products previously manufactured. BRP-Rotax reserves the right at any time to discontinue or change specification, designs, features, models or equipment without incurring obligation.

Note This Illustrated Parts Catalog is not an offer to sell parts, but a catalog illustrating the parts available at ROTAX® authorized distributors.
BRP-Rotax reserves the right to deliver the components (crankshaft, crankcase, special tools etc.) only to organizations with respective qualifications, and thus, these special components will not be listed in this IPC.

Color variations **Color variations on unpainted castings:**

On unpainted surfaces (i.e. aluminium cases) minor color variations (i.e. grey tone on aluminum surface) are possible due to the manufacturing process. Such possible color variations do not affect the quality of the product and are no reason for rejection - even a color variation on castings in differing areas is acceptable.

Tightening torque Generally all the fasteners on a ROTAX® engine are tightened with a torque wrench. The tightening torque must always be done according to the content of the latest Maintenance Manual Heavy for the respective engine type.

Revision This Illustrated Parts Catalog (IPC) will be revised as required.

NOTE

Date of issue or number of revision is printed on cover and bottom end of page.

BRP-Rotax
ILLUSTRATED PARTS CATALOG

INTRODUCTION

Explanation

As obvious from the cover, this Illustrated Parts Catalog covers the current aircraft engines ROTAX® 915 i A Series. Certified and non-certified versions are available. Besides the engine-specific parts, the most popular accessories are listed too.

The ROTAX® engine of the type 915 iSc A has been certified in accordance with EASA CS-E.

The ROTAX® engine of the type 915 iS A has shown ASTM F2339 compliance.

PARTS ORDER

At a parts order for a certified engine, state details of application e.g. 915 iSc A certified to EASA CS-E.

For these parts an Authorized Release Certificate (FORM ONE TAG, see sample below) will be issued. For parts volume see enclosed packing slip.

| 1. Approving Competent Authority/Country Austro Control GmbH / Austria | | 2. AUTHORIZED RELEASE CERTIFICATE EASA FORM 1 | | | 3. Form Tracking Number | |
|--|----------------|--|---------|---|-------------------------|------------------------------------|
| 4. Approved Organisation Name and Address: | | | | 5. Work Order/Contract/Invoice Delivery Note Date | | |
| BRP-Rotax GmbH & Co KG <small>A-4623 Gunsirichen, Austria Rotaxstraße 1</small> | | | | | | |
| 6. Item | 7. Description | 8. Part No. | 9. Qty. | 10. Serial-No. | 11. Status/Work | |
| | | | | | | |
| 12. Remarks <div style="font-size: x-small;"> Next overhaul after <input type="checkbox"/> xxxx h or TSN <input type="checkbox"/> xxxx h total operating time or <input type="checkbox"/> xx years since installation after Service Bulletin optional: <input type="checkbox"/> Service Bulletin effect: <input type="checkbox"/> Service Bulletin not applic.: <input type="checkbox"/> </div> <div style="font-size: x-small; margin-top: 5px;"> Displayed for: Limited life parts will normally be accompanied by maintenance history including life used </div> | | | | | | |
| 13a. Certifies that the items identified above were manufactured in conformity to: <input checked="" type="checkbox"/> approved design data and are in condition for safe operation <input type="checkbox"/> non-approved design data specified in block 12 | | | | 14a. <input type="checkbox"/> Part-145.A.50 Release to Service <input type="checkbox"/> Other Regulation specified in block 12 Certifies that unless otherwise specified in block 12, the work identified in block 11 and described in block 12, was accomplished in accordance with Part 145 and in respect to that work the parts are considered ready for release to service | | |
| 13b. Authorized Signature | | 13c. Approval/Authorisation Number | | 14b. Authorized Signature | | 14c. Certificate/Approval Ref. No. |
| <small>Electronic Signature on File</small> 13d. Name | | AT.21G.0006 13e. Date (dd mm yyyy) | | 14d. Name | | |

EASA Form 1 - 21 Issue 2 Regarding User/installer responsibilities, Import-/Storage requirements please see reverse side PRINTED FROM ELECTRONIC FILE

Figure 1.1

NOTE

On all enquiries or spare part orders, always indicate engine serial number, as the manufacturer makes modification to engine for further development.

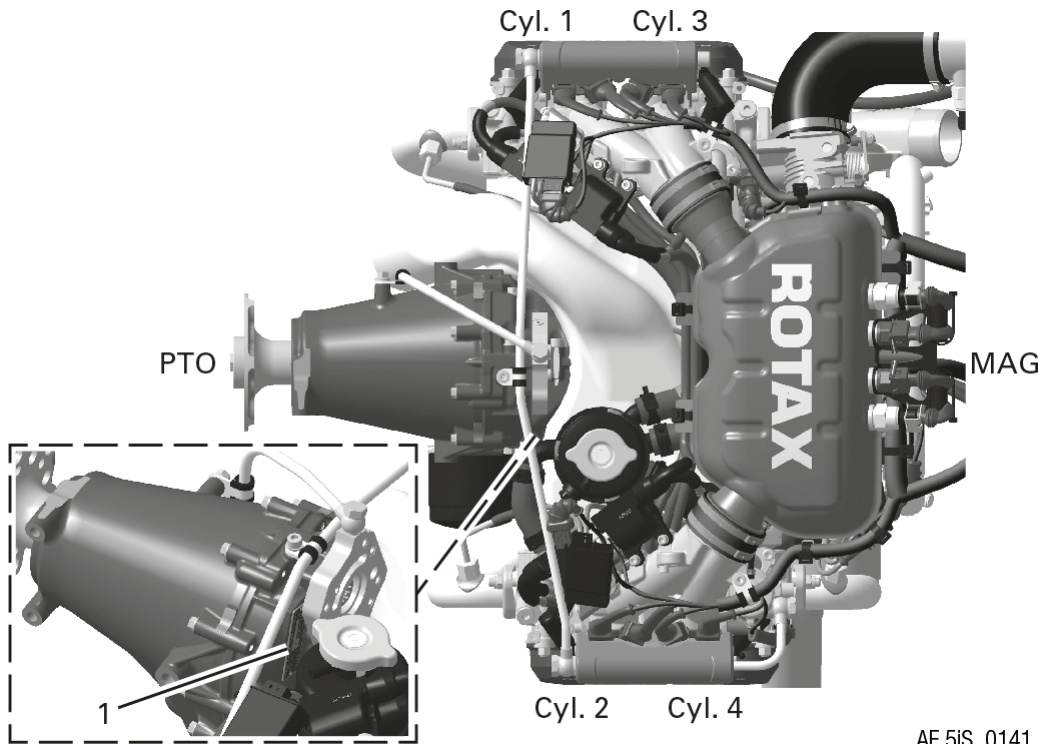
Engine serial number

When making inquiries or ordering parts, always indicate the engine serial number, as the engine manufacturer might make modifications to the engine in the course of product improvement. The engine serial number is on top of the crankcase, behind the propeller gearbox.

BRP-Rotax
ILLUSTRATED PARTS CATALOG

ENGINE VIEW AND DENOMINATION OF THE CYLINDERS

| | |
|---------------|---------------------|
| PTO | power take off side |
| MAG | magneto side |
| Cyl. 1 | Cylinder 1 |
| Cyl. 2 | Cylinder 2 |
| Cyl. 3 | Cylinder 3 |
| Cyl. 4 | Cylinder 4 |



AE 5iS_0141

Figure 1.2: Engine view, TYPICAL

1 Engine type plate

BRP-Rotax
ILLUSTRATED PARTS CATALOG

REPEATING SYMBOLS

Safety notice

This catalog uses the following symbols to emphasize particular information. These indications are important and must be respected.

| |
|---|
| ⚠ WARNING |
| Identifies an instruction which, if not followed, may cause serious injury or even fatal injury. |

| |
|--|
| ⚠ CAUTION |
| Identifies an instruction which, if not followed, may cause minor or moderate injury. |

| |
|---|
| ATTENTION |
| Identifies an instruction which, if not followed, may severely damage the engine or could void any warranty. |

NOTE

Indicates supplementary information which may be needed to fully complete or understand an instruction.

XXX In illustrations this sign indicates the position of the current serial number (e.g. on crankshaft, camshaft, etc.).
In descriptions (in part no. column) this sign indicates that this part is described in an other chapter.



A revision bar outside the page margin indicates a change to text or graphic.

BRP-Rotax
ILLUSTRATED PARTS CATALOG

STRUCTURE

Exploded view

Each section starts with an exploded view of the type 915 i on the left side. The corresponding heading and the listing of the parts is on the right side and the following pages. The numbering on the exploded view is in the sequence of assembly as much as practicable.

For prevention of errors and to simplify exchange we tried best to list the part number of each component only once. But for better understanding components are frequently depicted without being listed, but referred to a respective section, if considered necessary.

Engine-column

For each engine type the right amount of spare parts per engine is listed in the relevant engine-column.

If the quantity is in brackets it indicates that the part is not absolutely necessary but optional on the respective engine type.

A small letter added to the number refers to information at the end of the section.

No number in the column parts per assembly indicates that this part is not planned for the respective engine.

Abbreviations

Find the following statements in the columns:

| | |
|-------------|--|
| N | newly introduced part |
| s.v. | still valid, part was replaced by compatible component and can not be supplied any longer by the producer. Superseded parts are still valid and usable unless otherwise specified by a service document. |
| n.a. | not available |
| NC | non-certified |
| AR | as required |

BRP-Rotax ILLUSTRATED PARTS CATALOG

| ITEM No. | STATUS | PART No. | INDENT | Description | PARTS PER ENGINE | | |
|----------|--------|----------|--------|-----------------------------|------------------|---------|--------|
| | | | | | 915 iS | 915 iSc | SI-PAC |
| 1 | 1 | 910899 | .1 | FUEL PUMP ASSY NC | 1a | 1 | 001 |
| 1 | s.v. | 910898 | .1 | FUEL PUMP ASSY | (1) | 1 | |
| 2 | n.a. | 440042 | ..2 | ALLEN SCREW M8x15 | 2 | AR | |

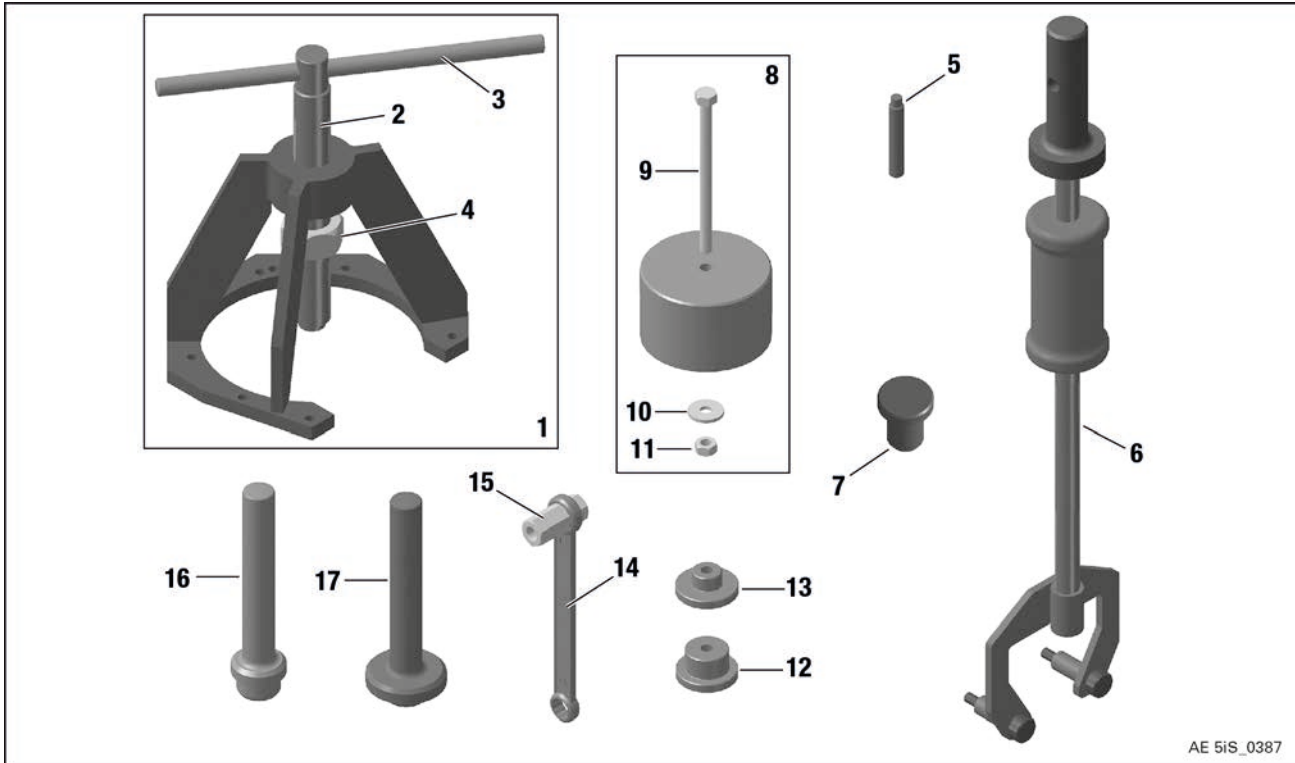
Figure 1.3

BRP-Rotax
ILLUSTRATED PARTS CATALOG

REPAIR TOOLS

NOTE

All Repair tools are non-certified parts.



AE 5iS_0387

Figure 1.4: Repair tools

| ITEM NO. | APPLICATION | ITEM NO. | APPLICATION |
|----------|--|----------|--|
| 1-4 | Roller bearing 25x25x15, oil seal 30x52x7 | 13 | Ball bearing 15x32x8 - governor drive |
| 5 | Crankshaft locking screw M8x50 | 14 | Ring wrench 10/13 |
| 6 | Gearbox | 15 | Fixture for governor drive |
| 7 | Crankshaft (magneto side) | 16 | Ball bearing 15x32x8, needle sleeve - governor drive |
| 8-11 | Ball bearing 15x32x8 - oil inlet flange, oil inlet cover | 17 | Oil seal 22x32x7 - governor drive |
| 12 | Needle bearing 22x28x12 - governor drive | | |

BRP-Rotax
ILLUSTRATED PARTS CATALOG

| Item No. | Sta-tus | PART NO. | INDENT | DESCRIPTION | Parts per Engine | |
|----------|---------|----------|--------|-------------------------|------------------|-----------|
| | | | | | 915 iS A | 915 iSc A |
| 1-4 | | 877615 | .1 | EXTRACTOR ASSY. | 1 | 1 |
| 2 | | 877580 | ..2 | PULL-IN SPINDLE M24x1.5 | 1 | 1 |
| 3 | | 276155 | ..2 | BOLT 12x250 | 1 | 1 |
| 4 | | 842585 | ..2 | HEX. SCREW M24x1.5 | 1 | 1 |
| 5 | | 240880 | .1 | THREAD BOLT M8x50 | 1 | 1 |
| 6 | | 877660 | .1 | PULLER ASSY. | 1 | 1 |
| 7 | | 877419 | .1 | PROTECTION MUSHROOM | 1 | 1 |
| 8-11 | | 876489 | .1 | PULLER ASSY. | 1 | 1 |
| 9 | | 941730 | ..2 | HEX. SCREW M6x80 | 1 | 1 |
| 10 | | 827305 | ..2 | WASHER 6.2/18/2 | 1 | 1 |
| 11 | | 242211 | ..2 | HEX. NUT M6 | 1 | 1 |
| 12 | | 877597 | .1 | PRESS-IN MUSHROOM | 1 | 1 |
| 13 | | 877595 | .1 | PRESS-IN MUSHROOM | 1 | 1 |
| 14 | | 876470 | .1 | RING SPANNER 10/13 | 1 | 1 |
| 15 | | 242661 | .1 | DISTANCE NUT M8x33 | 1 | 1 |
| 16 | | 276332 | .1 | INSERTION JIG ASSY. | 1 | 1 |
| 17 | | 877276 | .1 | INSERTION JIG ASSY. | 1 | 1 |

BRP-Rotax
ILLUSTRATED PARTS CATALOG

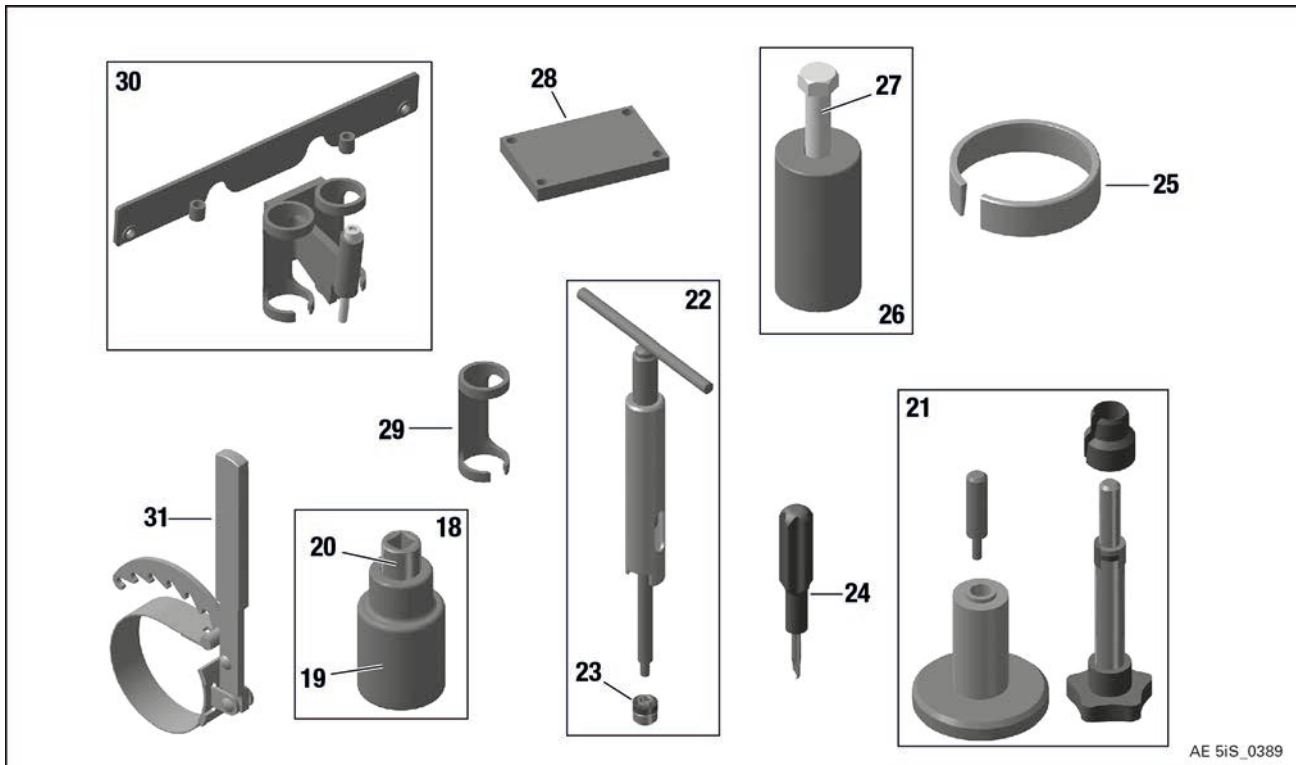


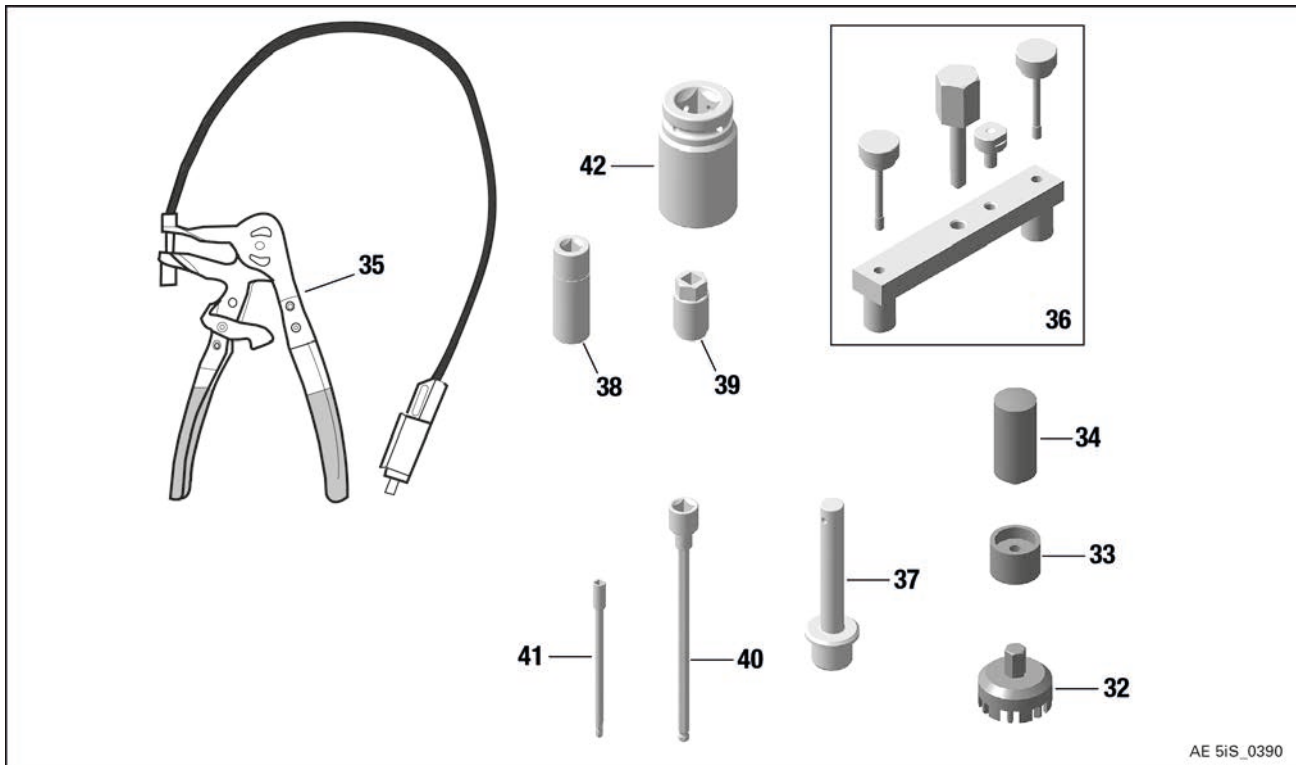
Figure 1.5: Repair tools

| ITEM NO. | APPLICATION | ITEM NO. | APPLICATION |
|----------|-----------------------------------|----------|--------------------------------------|
| 18-20 | Drive gear, gearbox, gear set | 26-27 | Puller magneto hub |
| 21 | Fitting of piston pin circlips | 28 | To align cylinders |
| 22-23 | Fitting and removal of piston pin | 29-30 | Installation/Removal of valve spring |
| 24 | Monohook clips puller | 31 | Oil filter removal |
| 25 | Piston diameter 84 mm / 33 in. | | |

BRP-Rotax
ILLUSTRATED PARTS CATALOG

| Item No. | Sta-tus | PART NO. | INDENT | DESCRIPTION | Parts per Engine | |
|----------|---------|----------|--------|---|------------------|-----------|
| | | | | | 915 iS A | 915 iSc A |
| 18-20 | | 877445 | .1 | SOCKET WRENCH ASSY. 41x12.5 | 1 | 1 |
| 19 | | 877440 | ..2 | SOCKET WRENCH A/F 41x20 | 1 | 1 |
| 20 | | 877460 | ..2 | REDUCING SOCKET 3/4"-1/ 2" | 1 | 1 |
| 21 | | 877802 | .1 | CIRCLIP INSTALLATION TOOL | 1 | 1 |
| 22-23 | | 877091 | .1 | PISTON PIN EXTRACTOR ASSY. | 1 | 1 |
| 23 | | 877155 | ..2 | EXTRACTING NUT ASSY. | 1 | 1 |
| 24 | | 976380 | .1 | MONOHOOK CIRCLIP REMOVER | 1 | 1 |
| 25 | | 876967 | .1 | PISTON RING SPANNER 84 MM (3.31 in.) | 1 | 1 |
| 26-27 | | 877375 | .1 | PULLER ASSY. | 1 | 1 |
| 27 | | 940755 | ..2 | HEX. SCREW M16x1.5x150 | 1 | 1 |
| 28 | | 877263 | .1 | CYLINDER ALIGNING TOOL | 1 | 1 |
| 29 | | 877380 | .1 | VALVE SPRING MOUNTING DEVICE | 1 | 1 |
| 30 | | 877387 | .1 | VALVE SPRING LOADING JIG ASSY. | 1 | 1 |
| 31 | | 877620 | .1 | OIL FILTER WRENCH | 1 | 1 |

BRP-Rotax
ILLUSTRATED PARTS CATALOG



AE 5iS_0390

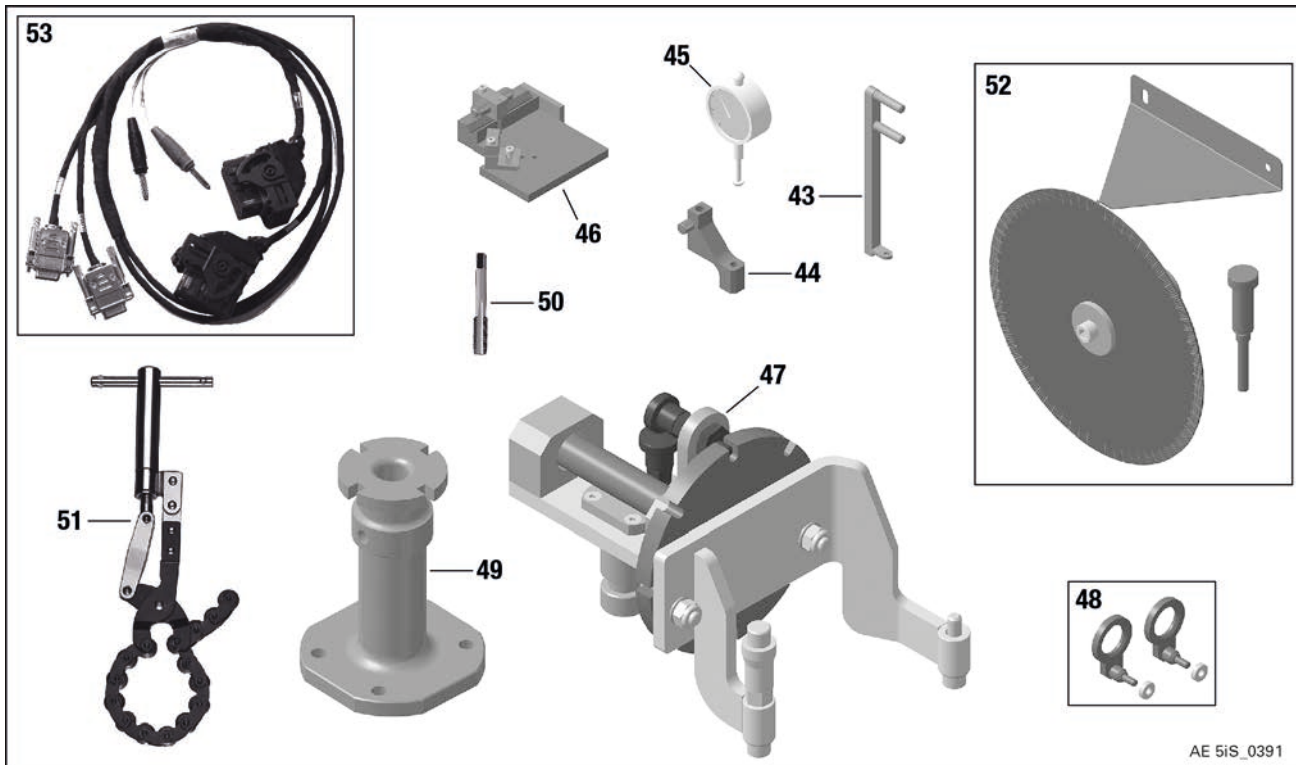
Figure 1.6: Repair tools

| ITEM NO. | APPLICATION | ITEM NO. | APPLICATION |
|----------|-----------------------------------|----------|----------------------------------|
| 32 | Water pump impeller | 38 | Pressure sensor Oil and Airbox |
| 33 | Rotary seal ignition housing | 39 | Temperature sensor Oil and Water |
| 34 | Oil seal 12x30x7 water pump shaft | 40 | Engine mount |
| 35 | Spring type hose clip 28 | 41 | Intake manifold |
| 36 | Ignition housing | 42 | Nut for sprag clutch housing |
| 37 | Oil seal 28x38x7 ignition housing | | |

BRP-Rotax
ILLUSTRATED PARTS CATALOG

| Item No. | Sta-tus | PART NO. | INDENT | DESCRIPTION | Parts per Engine | |
|----------|---------|----------|--------|--------------------------------|------------------|-----------|
| | | | | | 915 iS A | 915 iSc A |
| 32 | | 877295 | .1 | IMPELLER WRENCH ASSY. | 1 | 1 |
| 33 | | 877258 | .1 | PRESS ON DEVICE ASSY. | 1 | 1 |
| 34 | | 876510 | .1 | INSERTION JIG | 1 | 1 |
| 35 | | 877840 | .1 | SPRING CLAMP PLIERS | 1 | 1 |
| 36 | | 876010 | .1 | PULLER ASSY. | 1 | 1 |
| 37 | | 876020 | .1 | INSERTION JIG. | 1 | 1 |
| 38 | | 876075 | .1 | SOCKET WRENCH 21x12.5 | 1 | 1 |
| 39 | | 876130 | .1 | SOCKET WRENCH 19x12.5 | 1 | 1 |
| 40 | | 876240 | .1 | SOCKET DRIVER HEX. 8 BALL HEAD | 1 | 1 |
| 41 | | 876180 | .1 | SOCKET DRIVER T30 BALL HEAD | 1 | 1 |
| 42 | | 876070 | .1 | SOCKET WRENCH 38x20 | 1 | 1 |

BRP-Rotax
ILLUSTRATED PARTS CATALOG



AE 5iS_0391

Figure 1.7: Repair tools

| ITEM NO. | APPLICATION | ITEM NO. | APPLICATION |
|----------|---|----------|--------------------------------|
| 43 | Crankcase | 49 | Trestle support |
| 44-45 | Dial gauge | 50 | Thread bent socket |
| 46 | Dial gauge adapter for valve seat inspect | 51 | Oil filter |
| 47 | Crankcase | 52 | Crankshaft distortion test kit |
| 48 | Lifting rings | 53 | Service wire harness |

BRP-Rotax
ILLUSTRATED PARTS CATALOG

| Item No. | Sta-tus | PART NO. | INDENT | DESCRIPTION | Parts per Engine | |
|----------|---------|----------|--------|---|------------------|-----------|
| | | | | | 915 iS A | 915 iSc A |
| 43 | | 877690 | .1 | CHECK LEVER | 1 | 1 |
| 44 | | 877710 | .1 | DIAL GAUGE ADAPTER ASSY. | 1 | 1 |
| 45 | | 876950 | .1 | PRECISION DIAL GAUGE | 1 | 1 |
| 46 | | 976140 | .1 | DIAL GAUGE ADAPTER ASSY. | 1 | 1 |
| 47 | | 876050 | .1 | TRESTLE ADAPTER ASSY. | 1 | 1 |
| 48 | | 876040 | .1 | ENGINE LIFT SET ASSY. | 1 | 1 |
| 49 | | 877930 | .1 | TRESTLE SUPPORT | 1 | 1 |
| 50 | | 877570 | .1 | TAPPING DRILL M18x1 | 1 | 1 |
| 51 | | 877670 | .1 | CUTTING TOOL | 1 | 1 |
| 52 | | 877520 | .1 | PROTRACTOR CRANK-SHAFT DISTORTION INSP. | 1 | 1 |
| 53 | | 864280 | .1 | SERVICE WIRING HARNESS ASSY. | 1 | 1 |

BRP-Rotax
ILLUSTRATED PARTS CATALOG

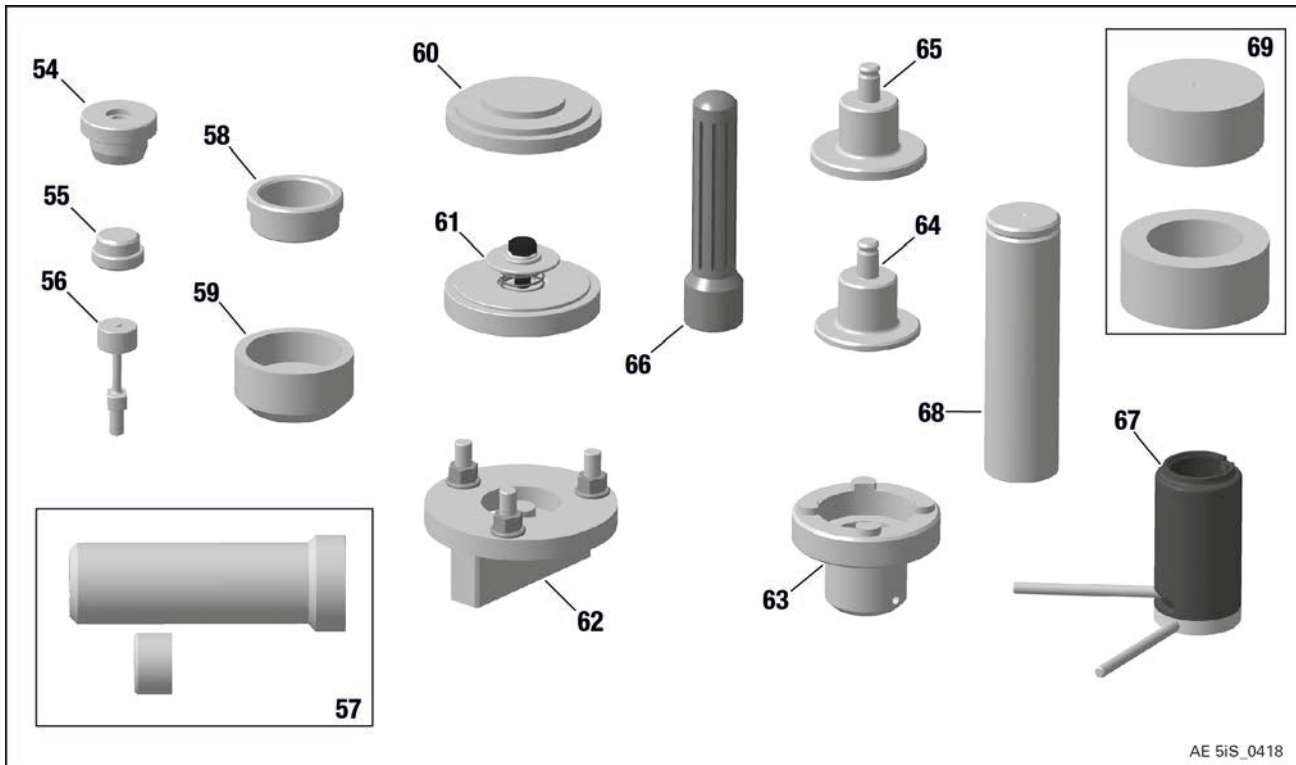


Figure 1.8: Repair tools

| ITEM NO. | APPLICATION | ITEM NO. | APPLICATION |
|----------|-----------------------------|----------|--|
| 54 | Needle bearing, crankcase | 62 | Propeller shaft bracket / mounting flange |
| 55 | Propeller shaft removal | 63 | Installation of overload clutch with damper clutch |
| 56 | Needle bearing removal | 64 | Sealing ring, gearbox |
| 57 | Hex. nut on propeller shaft | 65 | Ball bearing, gearbox |
| 58 | Damper clutch | 66 | Stamp |
| 59 | Damper clutch | 67 | Retaining ring, propeller shaft |
| 60 | Damper clutch | 68 | Ball bearing, propeller shaft |
| 61 | Damper clutch | 69 | Overload clutch |

BRP-Rotax
ILLUSTRATED PARTS CATALOG

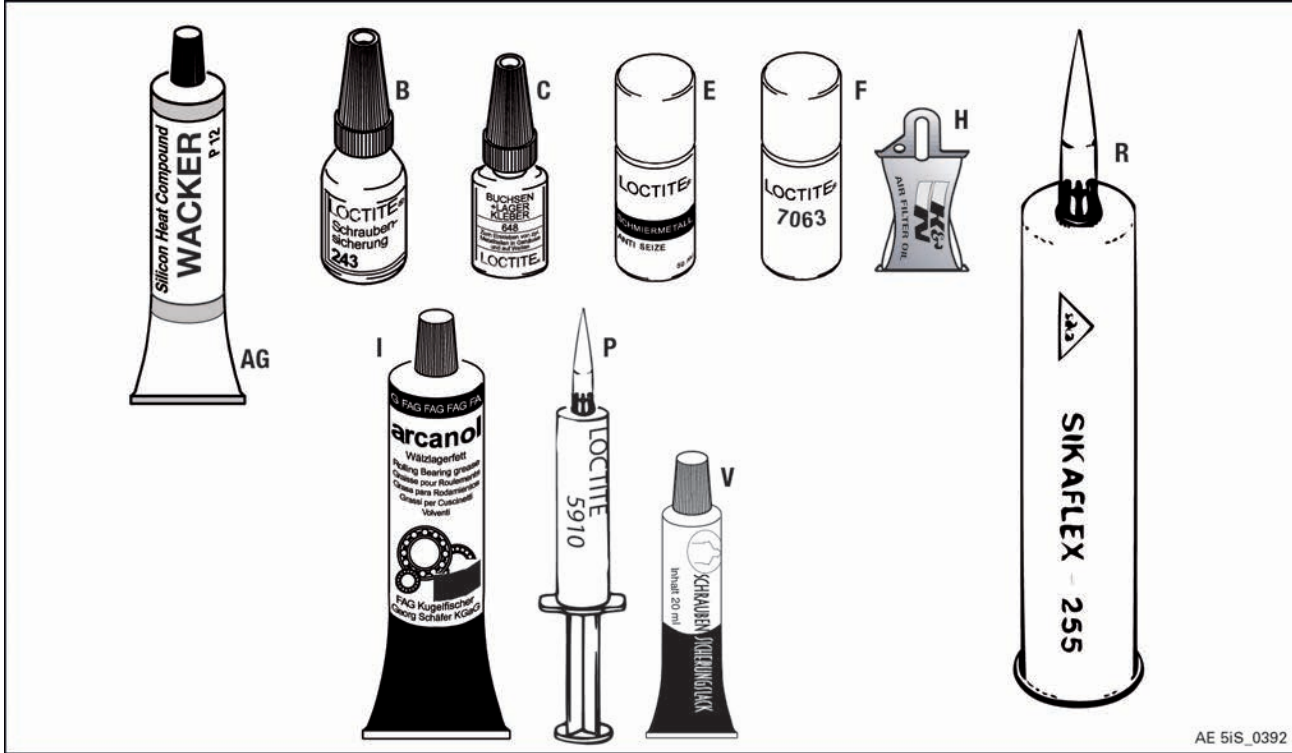
| Item No. | Sta-tus | PART NO. | INDENT | DESCRIPTION | Parts per Engine | |
|----------|---------|----------|--------|--------------------------|------------------|-----------|
| | | | | | 915 iS A | 915 iSc A |
| 54 | | 276000 | .1 | PRESS IN JIG | 1 | 1 |
| 55 | | 276002 | .1 | PRESS OUT MUSHROOM | 1 | 1 |
| 56 | | 276004 | .1 | PULL STUD | 1 | 1 |
| 57 | | 276006 | .1 | SOCKET WRENCH AF 46 | 1 | 1 |
| 58 | | 276950 | .1 | CENTERING RING | 1 | 1 |
| 59 | | 276952 | .1 | INSERTION JIG | 1 | 1 |
| 60 | | 276954 | .1 | CENTERING PLATE | 1 | 1 |
| 61 | | 276956 | .1 | CENTERING PLATE | 1 | 1 |
| 62 | | 276958 | .1 | SUPPORT PLATE | 1 | 1 |
| 63 | | 276962 | .1 | TWIST TOOL | 1 | 1 |
| 64 | | 276964 | .1 | INSERTION JIG | 1 | 1 |
| 65 | | 276966 | .1 | INSERTION JIG | 1 | 1 |
| 66 | | 877650 | .1 | HANDLE FOR INSERTION JIG | 1 | 1 |
| 67 | | 276968 | .1 | RETAINING RING TOOL | 1 | 1 |
| 68 | | 276972 | .1 | INSERTION SLEEVE | 1 | 1 |
| 69 | | 276974 | .1 | INSERTION JIG | 1 | 1 |

BRP-Rotax
ILLUSTRATED PARTS CATALOG

LUBRICANTS

NOTE

All lubricants are non-certified.



AE 5iS_0392

Figure 1.9: Lubricants

| ITEM NO. | APPLICATION | ITEM NO. | APPLICATION |
|----------|---------------------------------|----------|--|
| B | Medium strength bond 10 cc. | I | Roller bearing grease, for smooth running |
| C | High strength bond 5 ml. | P | Regular body/high adhesion flexible flange sealant |
| E | To prevent metal galling 50 cc. | R | For vibration damping; 310 cc. |
| F | Cleaner | V | For marking |
| H | Blister 14.8 ml. | AG | For better heat transfer from the spark plugs |

BRP-Rotax
ILLUSTRATED PARTS CATALOG

| Item No. | Sta-tus | PART NO. | IN-DENT | DESCRIPTION | Parts per Engine | |
|----------|---------|----------|---------|--|------------------|-----------|
| | | | | | 915 iS A | 915 iSc A |
| B | | 897651 | .1 | LOCTITE 243 BLUE, 10 CC. | 1 | 1 |
| C | | 899788 | .1 | LOCTITE 648 GREEN, 5 ML. (CC). | 1 | 1 |
| E | | 297434 | .1 | LOCTITE ANTI SEIZE 50 ML. | 1 | 1 |
| F | | xxx | .1 | LOCTITE 7063 | 1 | 1 |
| H | | 897870 | .1 | K&N FILTER OIL 99-11312 | 1 | 1 |
| I | | 897330 | .1 | LITHIUM-BASED GREASE, 250 GR. | 1 | 1 |
| O | | xxx | .1 | ENGINE OIL | 1 | 1 |
| P | | 899791 | .1 | LOCTITE 5910, 50 ML. | 1 | 1 |
| R | | 297711 | .1 | PU-GLUE, SIKAFLEX 255 | 1 | 1 |
| V | | 898570 | .1 | LOCKING PAINT | 1 | 1 |
| AG | | 897186 | .1 | SILICONE HEAT COMPOUND WACKER P12, 150 GR. | 1 | 1 |

BRP-Rotax
ILLUSTRATED PARTS CATALOG

DOCUMENTATION, LABELS, GASKET SETS

AE 515_0262

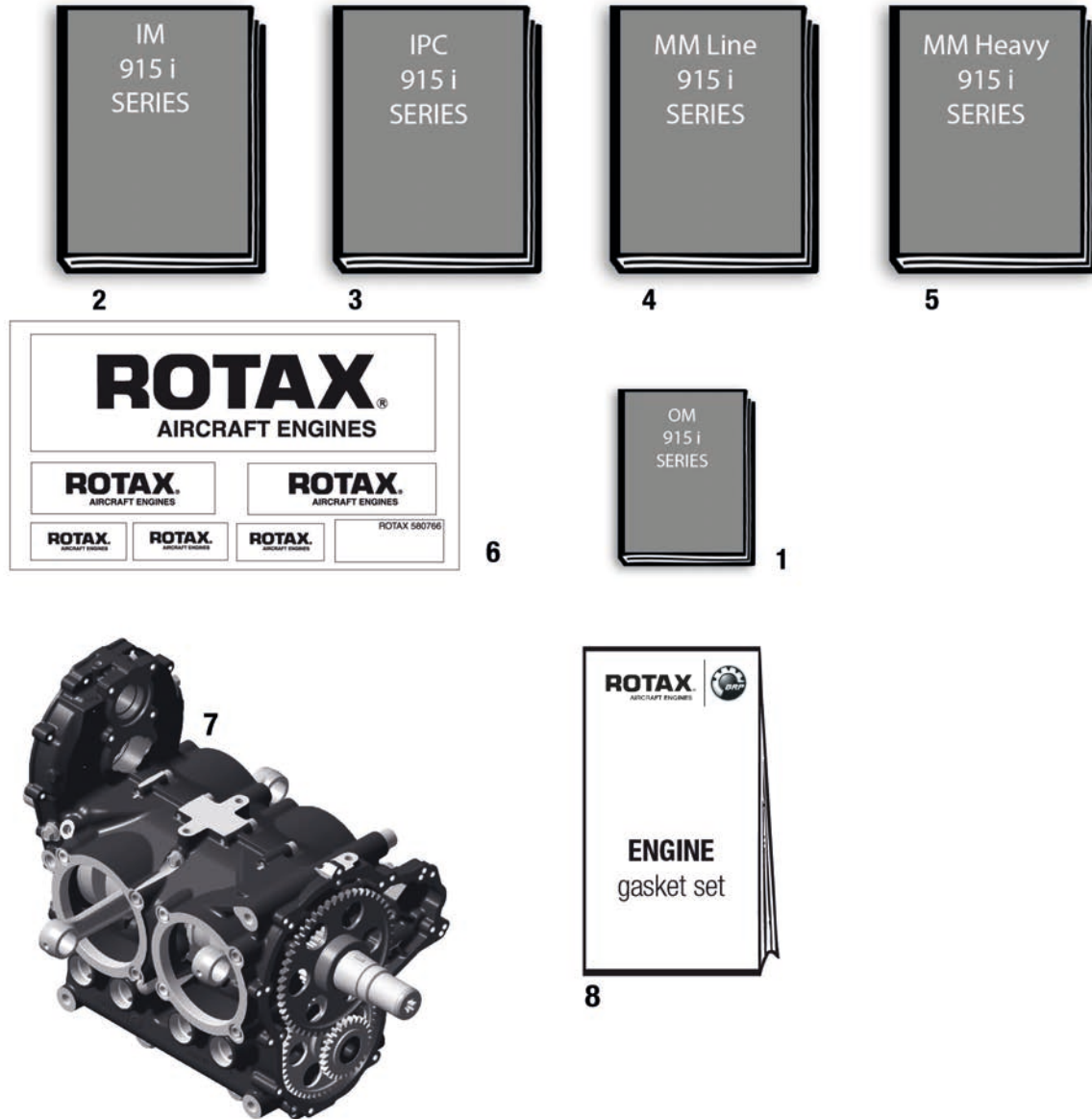


Figure 1.10

BRP-Rotax
ILLUSTRATED PARTS CATALOG

| Item No. | Status | PART NO. | INDENT | DESCRIPTION | Parts per Engine | |
|----------|--------|----------|--------|---|------------------|-----------|
| | | | | | 915 iS | 915 iSc A |
| 1 | | 898851 | .1 | OPERATORS MANUAL | 1 | 1 |
| 2 | | 898871 | .1 | INSTALLATION MANUAL | 1 | 1 |
| 3 | | 898891 | .1 | ILLUSTRATED PARTS CATALOG | 1 | 1 |
| 4 | | 898863 | .1 | MAINTENANCE MANUAL LINE | 1 | 1 |
| 5 | | 898861 | .1 | MAINTENANCE MANUAL HEAVY | 1 | 1 |
| 6 | | 580683 | .1 | ROTAX STICKER KIT AIRCRAFT NC | | 1 |
| 6 | | 580691 | .1 | ROTAX STICKER KIT AIRCRAFT NC | 1 | |
| 7 | | xxx | .1 | ENGINE BLOCK See chap. 72-20-00 | 1 | 1 |
| 8 | | 686245 | .1 | GASKET SET | 1 | 1 |

BRP-Rotax
ILLUSTRATED PARTS CATALOG

INTENTIONALLY LEFT
BLANK

BRP-Rotax
ILLUSTRATED PARTS CATALOG

Chapter: 24-20-00
IGNITION HOUSING, STATOR, RECTIFIER REGULATOR, CRANKSHAFT
POSITION SENSOR ASSY.

TOPICS IN THIS CHAPTER

IGNITION HOUSING, STATOR, CRANKSHAFT POSITION SENSOR2

BRP-Rotax
ILLUSTRATED PARTS CATALOG

IGNITION HOUSING, STATOR, CRANKSHAFT POSITION SENSOR

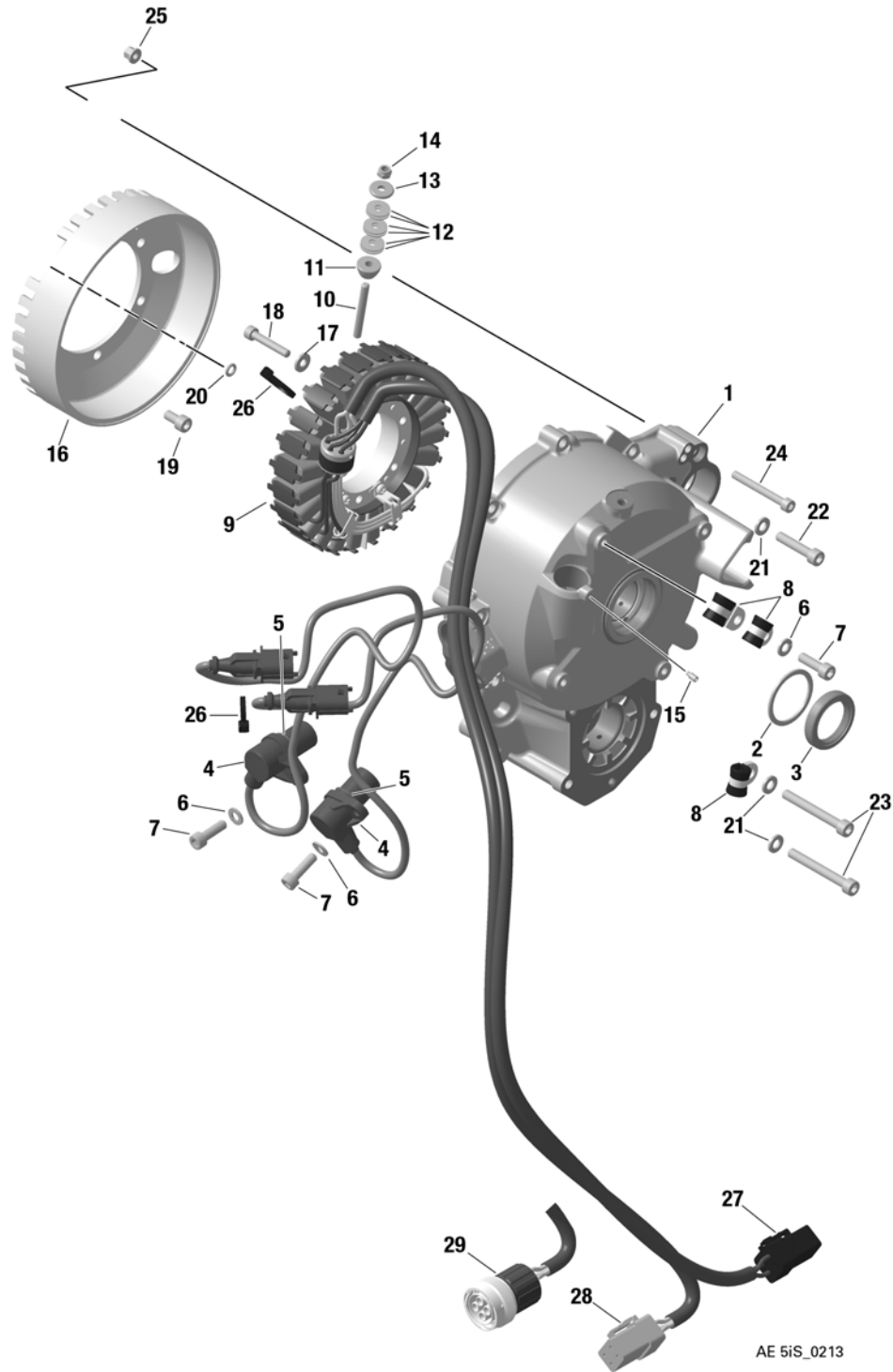


Figure 2.1: 24-20-00

24-20-00

Page 2
June 01 2019

Effectivity: 915 i A Series
Rev. 1

BRP-Rotax
ILLUSTRATED PARTS CATALOG

| Item No. | Sta-tus | Part No. | In-dent | Description | Parts per Engine | | SI-PAC |
|----------|-----------|------------------|---------|----------------------------------|------------------|-----------|--------|
| | | | | | 915 iS A | 915 iSc A | |
| 1 | | 912247 | .1 | IGNITION HOUSING ASSY. | 1 | 1 | |
| 2 | | 827220 | .1 | WASHER 32/38/1.5 | 1 | 1 | |
| 3 | | 230428 | .1 | OIL SEAL GPRE 28x38x7 FKM | 1 | 1 | |
| 4-5 | | 966572 | .1 | CRANKSHAFT POSITION SENSOR | 2 | 2 | |
| 5 | | 431580 | ..2 | O-RING 17.17x1.78 FPM 70 | 2 | 2 | |
| 6 | N s.v. | 945831 945751 | .1 | LOCK WASHER A6 | 3 | 3 | |
| 7 | | 241930 | .1 | ALLEN SCREW M6x20 | 2 | 2 | |
| 8 | | 853412 | .1 | CABLE CLAMP | 3 | 3 | |
| 9 | N | 685067 | .1 | STATOR ASSY. | 1a | 1a | |
| 9 | s.v. | 685062 | .1 | STATOR ASSY. | 1 | 1 | |
| 10 | | 840792 | .1 | STUD M5x44 | 1 | 1 | |
| 11 | | 947510 | .1 | DISTANCE SLEEVE | 1 | 1 | |
| 12 | | 938080 | .1 | DISK SPRING 15x5.2x0.7 | 6 | 6 | |
| 13 | | 827240 | .1 | WASHER 5.1/15.5/2.5 | 1 | 1 | |
| 14 | | 842033 | .1 | LOCK NUT M5 | 1 | 1 | |
| 15 | | 840820 | .1 | ADJUSTMENT SCREW M4x8 | 1 | 1 | |
| 16 | | 685072 | .1 | MAGNETO FLYWHEEL ASSY. | 1 | 1 | |
| 17 | N s.v. | 827801 827800 | .1 | WASHER A 5.5 | 6 | 6 | |
| 18 | | 940881 | .1 | ALLEN SCREW M5x30 | 6 | 6 | |
| 19 | | 840036 | .1 | ALLEN SCREW M6x12 | 6 | 6 | |
| 20 | | xxx | .1 | O-RING 5x2 see chap. 72-20-00 | 1 | 1 | |
| 21 | N s.v. | 827962 827961 | .1 | WASHER 6.4 | 7 | 7 | |
| 22 | | 840880 | .1 | ALLEN SCREW M6x30 | 5 | 5 | |
| 23 | | 241761 | .1 | ALLEN SCREW M6x50 | 2 | 2 | |
| 24 | | 941791 | .1 | ALLEN SCREW M5x45 | 2 | 2 | |
| 25 | | 942311 | .1 | HEX. NUT M5 | 2 | 2 | |
| 26 | | 866714 | .1 | TIE WRAP 142x3.2 mm | 2 | 2 | |

BRP-Rotax
ILLUSTRATED PARTS CATALOG

| Item No. | Status | Part No. | In-dent | Description | Parts per Engine | | SI-PAC |
|----------|--------|----------|---------|--|------------------|-----------|--------|
| | | | | | 915 iS A | 915 iSc A | |
| 27 | | xxx | .1 | CONNECTOR SET BLACK see chap. 76-10-00 | 1 | 1 | |
| 28 | | xxx | .1 | CONNECTOR SET GREY see chap. 76-10-00 | 1 | 1 | |
| 29 | | xxx | .1 | CONNECTOR SET AMPHENOL see chap. 76-10-00 | 1 | 1 | |

a with round Amphenol connector for generator B

BRP-Rotax
ILLUSTRATED PARTS CATALOG

Chapter: 24-30-00
EXTERNAL GENERATOR F3A (ALL PARTS OPTIONAL)

TOPICS IN THIS CHAPTER

EXTERNAL GENERATOR F3A2

BRP-Rotax
ILLUSTRATED PARTS CATALOG

EXTERNAL GENERATOR F3A

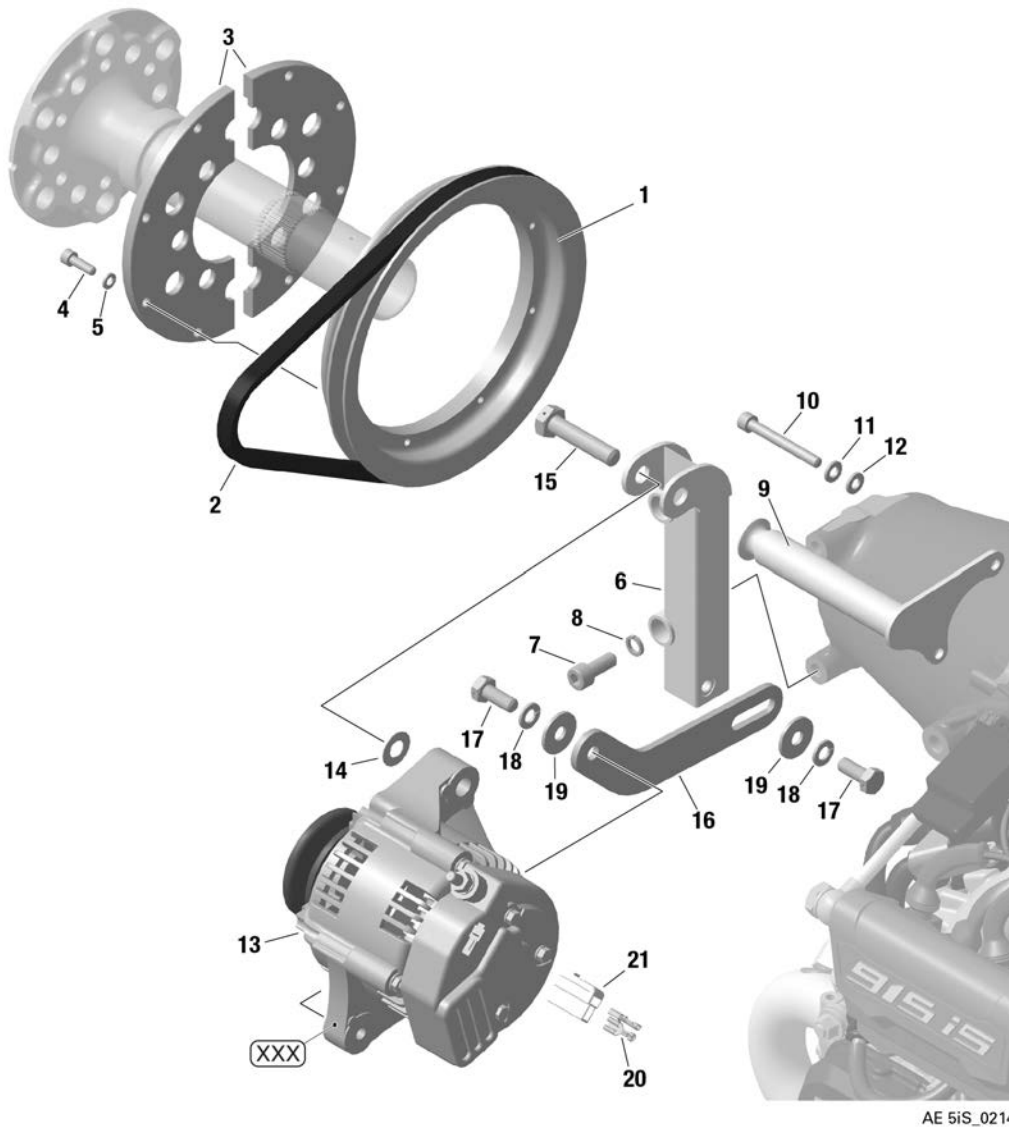


Figure 3.1: 24-30-00

BRP-Rotax
ILLUSTRATED PARTS CATALOG

| Item No. | Sta-tus | Part No. | In-ident | Description | Parts per Engine | | SI-PAC |
|----------|-----------|------------------|----------|--------------------------------|------------------|-----------|--------|
| | | | | | 915 iS A | 915 iSc A | |
| 1-21 | | 887259 | .1 | ALTERNATORSET NC | (1) | (1) | 001 |
| 1 | | 980590 | ..2 | V-BELT PULLEY NC | (1) | (1) | 001 |
| 2 | | 980400 | ..2 | V-BELT 9,5X675 NC | (1) | (1) | 001 |
| 3 | | 980605 | ..2 | PULLEY CARRIER NC | (2) | (2) | 001 |
| 4 | N n.a. | 840514 840511 | ..2 | ALLEN SCREW M5X16 NC | (8) | (8) | 001 |
| 5 | N n.a. | 945830 945750 | ..2 | LOCK WASHER A5 NC | (8) | (8) | 001 |
| 6 | N n.a. | 953223 953222 | ..2 | ALTERNATOR BRACKET ASSY. NC | (1) | (1) | 001 |
| 7 | N n.a. | 240072 240071 | ..2 | ALLEN SCREW M8X20 NC | (2) | (2) | 001 |
| 8 | | 845310 | ..2 | LOCK WASHER VHZ 8 NC | (2) | (2) | 001 |
| 9 | | 953235 | ..2 | ALTERNATOR SUPPORT ASSY. NC | (1) | (1) | 001 |
| 10 | N n.a. | 241762 241761 | ..2 | ALLEN SCREW M6X50 NC | (2) | (2) | 001 |
| 11 | N s.v. | 945831 945751 | ..2 | LOCK WASHER A6 NC | (2) | (2) | 001 |
| 12 | N s.v. | 827962 827961 | ..2 | WASHER 6.4 NC | (2) | (2) | 001 |
| 13 | | 887251 | ..2 | ALTERNATOR F3A NC | (1) | (1) | 001 |

BRP-Rotax
ILLUSTRATED PARTS CATALOG

| Item No. | Sta-tus | Part No. | In-dent | Description | Parts per Engine | | SI-PAC |
|----------|-----------|------------------|---------|---------------------------------|------------------|-----------|--------|
| | | | | | 915 iS A | 915 iSc A | |
| 14 | | 927952 | ..2 | THRUST WASHER 10.1/20/0.5 NC | (1) | (1) | 001 |
| 15 | | 941636 | ..2 | HEX. SCREW M10X45 NC | (1) | (1) | 001 |
| 16 | | 953241 | ..2 | TENSION BAR NC | (1) | (1) | 001 |
| 17 | | 940596 | ..2 | HEX. SCREW M8X20 NC | (2) | (2) | 001 |
| 18 | N s.v. | 945832 945752 | ..2 | LOCK WASHER A8 NC | (2) | (2) | 001 |
| 19 | | 227935 | ..2 | WASHER 8.4 NC | (2) | (2) | 001 |
| 20 | | 864011 | ..2 | FASTON CONNECTOR 6.3X0.8 NC | (2) | (2) | 001 |
| 21 | | 265255 | ..2 | CONNECTOR HOUSING 2-POLE NC | (1) | (1) | 001 |

BRP-Rotax
ILLUSTRATED PARTS CATALOG

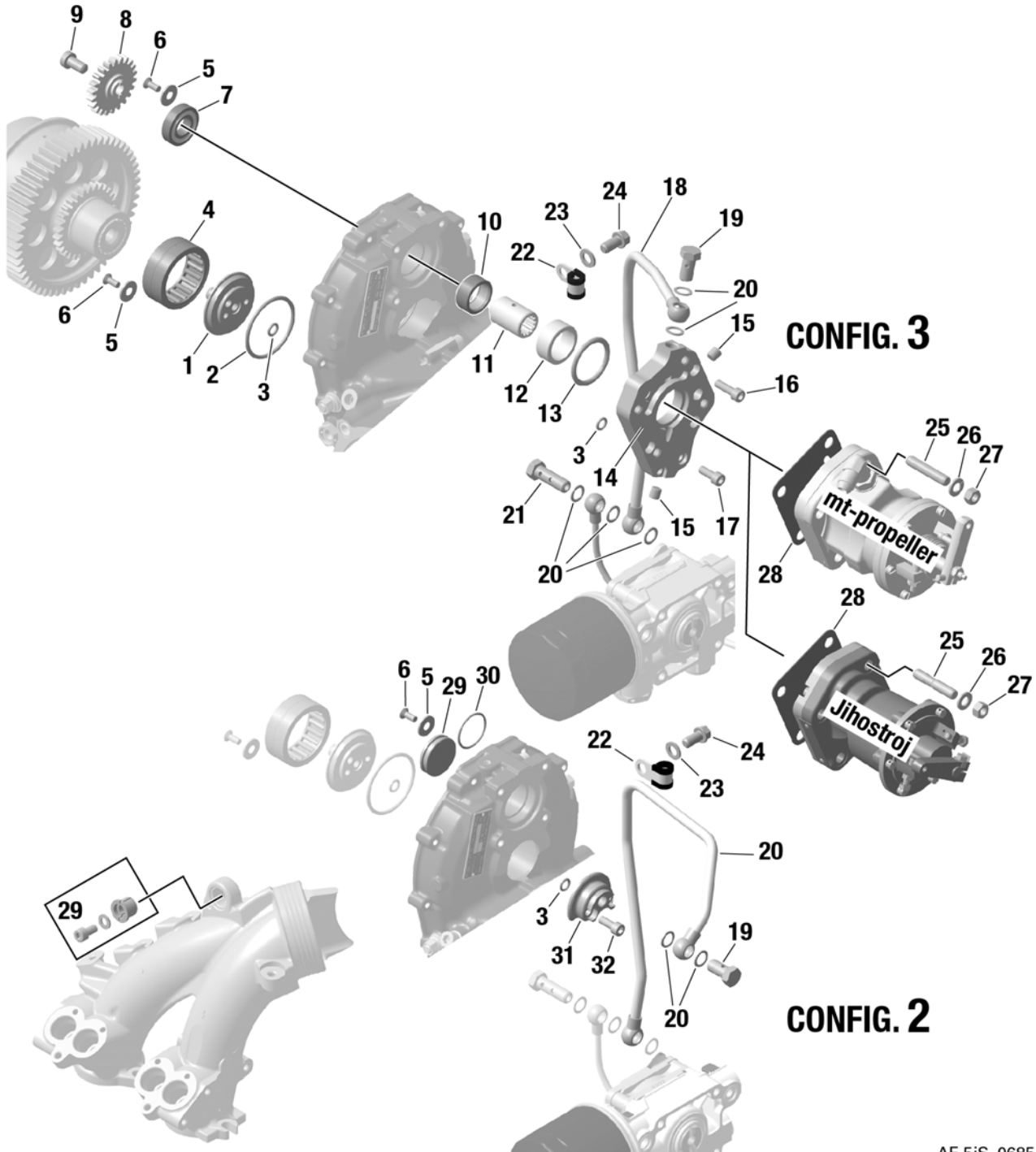
Chapter: 61-20-00
HYDR. GOVERNOR ARRANGEMENT FOR CONSTANT SPEED
PROPELLER (OPTIONAL)

TOPICS IN THIS CHAPTER

HYDR. GOVERNOR FOR CONSTANT SPEED PROPELLER2

BRP-Rotax
ILLUSTRATED PARTS CATALOG

HYDR. GOVERNOR FOR CONSTANT SPEED PROPELLER



AE 5iS_0685

Figure 4.1: 61-20-00

61-20-00

Page 2
June 01 2019

Effectivity: 915 i A Series
Rev. 1

BRP-Rotax
ILLUSTRATED PARTS CATALOG

| Item No. | Sta-tus | Part No. | In-dent | Description | Parts per Engine | | SI-PAC |
|----------|-----------|------------------|---------|---------------------------------|------------------|-----------|--------|
| | | | | | 915 iS A | 915 iSc A | |
| 1 | | 810310 | .1 | OIL INLET FLANGE | 1 | 1 | |
| 2 | | 430175 | .1 | O-RING 46x3-N, FPM 75 | 1 | 1 | |
| 3 | | 830415 | .1 | O-RING 7x2-N, FPM 75 | 2 | 2 | |
| 4 | | 832950 | .1 | NEEDLE BEARING RNA 49/32 | 1 | 1 | |
| 5 | | 227280 | .1 | THRUST WASHER | 2 | 2 | |
| 6 | | 940316 | .1 | COUNTERSUNK SCREW M5x12 | 2 | 2 | |
| 7 | | 832362 | .1 | BALL BEARING 16002. 15-32-8 | 1 | 1 | |
| 8 | | 834245 | .1 | VACUUM PUMP GEAR 22 T | 1 | 1 | |
| 9 | | 941521 | .1 | ALLEN SCREW M8x16 | 1 | 1 | |
| 10 | | 232925 | .1 | NEEDLE SLEEVE 22x28x12 | 1 | 1 | |
| 11 | | 847773 | .1 | DRIVE SLEEVE | 1 | 1 | |
| 12 | | 847802 | .1 | SPACER 25/31.95/13 | 1 | 1 | |
| 13 | | 950380 | .1 | O-RING 32x4-N FPM 75 | 1 | 1 | |
| 14 | | 810070 | .1 | GOVERNOR FLANGE | 1 | 1 | |
| 15 | | 941611 | .1 | PLUG SCREW M8x1 | 2 | 2 | |
| 16 | | 241930 | .1 | ALLEN SCREW M6x20 | 4 | 4 | |
| 17 | N s.v. | 241237 241236 | .1 | ALLEN SCREW M6x16 | 2 | 2 | |
| 18 | | 956460 | .1 | PRESSURE OIL LINE ASSY. | 1 | 1 | |
| 19 | | 940874 | .1 | BANJO BOLT M10x1x19 | 1 | 1 | |
| 20 | | 230150 | .1 | SEALING RING A 10x14 | 5 | 5 | |
| 21 | | 940873 | .1 | BANJO BOLT M10x1x34 | 1 | 1 | |
| 22 | | 853418 | .1 | CABLE CLAMP | 1 | 1 | |
| 23 | | 944131 | .1 | LOCK WASHER A8 | 1 | 1 | |
| 24 | | 440854 | .1 | HEX./TORX-FLANGE SCREW M8X16 | 1 | 1 | |
| 25 | | 840711 | .1 | STUD M8X21/20 NC | 4 | 4 | 002 |
| 26 | N s.v. | 945832 945752 | .1 | LOCK WASHER A8 NC | 4 | 4 | 002 |

BRP-Rotax
ILLUSTRATED PARTS CATALOG

| Item No. | Sta-tus | Part No. | In-dent | Description | Parts per Engine | | SI-PAC |
|----------|---------|----------|---------|---|------------------|-----------|--------|
| | | | | | 915 iS A | 915 iSc A | |
| 27 | | 942671 | .1 | HEX NUT M8 NC | 4 | 4 | 002 |
| 28 | | 931372 | .1 | GASKET NC | 1 | 1 | 002 |
| 29 | | 944222 | .1 | BLINDING SHIM | 1a | 1a | |
| 30 | | 430061 | .1 | O-RING 26.7x1.8 | 1a | 1a | |
| 31 | | 810321 | .1 | OIL INLET FLANGE ADAPTOR | 1a | 1a | |
| 32 | | 241237 | .1 | ALLEN SCREW M6x16 | 2a | 2a | |
| 33 | | 956465 | .1 | GEARBOX OIL LINE | 1a | 1a | |
| 34 | | xxx | .1 | GOVERNOR CABLE KIT see chap. 73-10-00 NC | 1 | 1 | 003 |

a Configuration 2

BRP-Rotax
ILLUSTRATED PARTS CATALOG

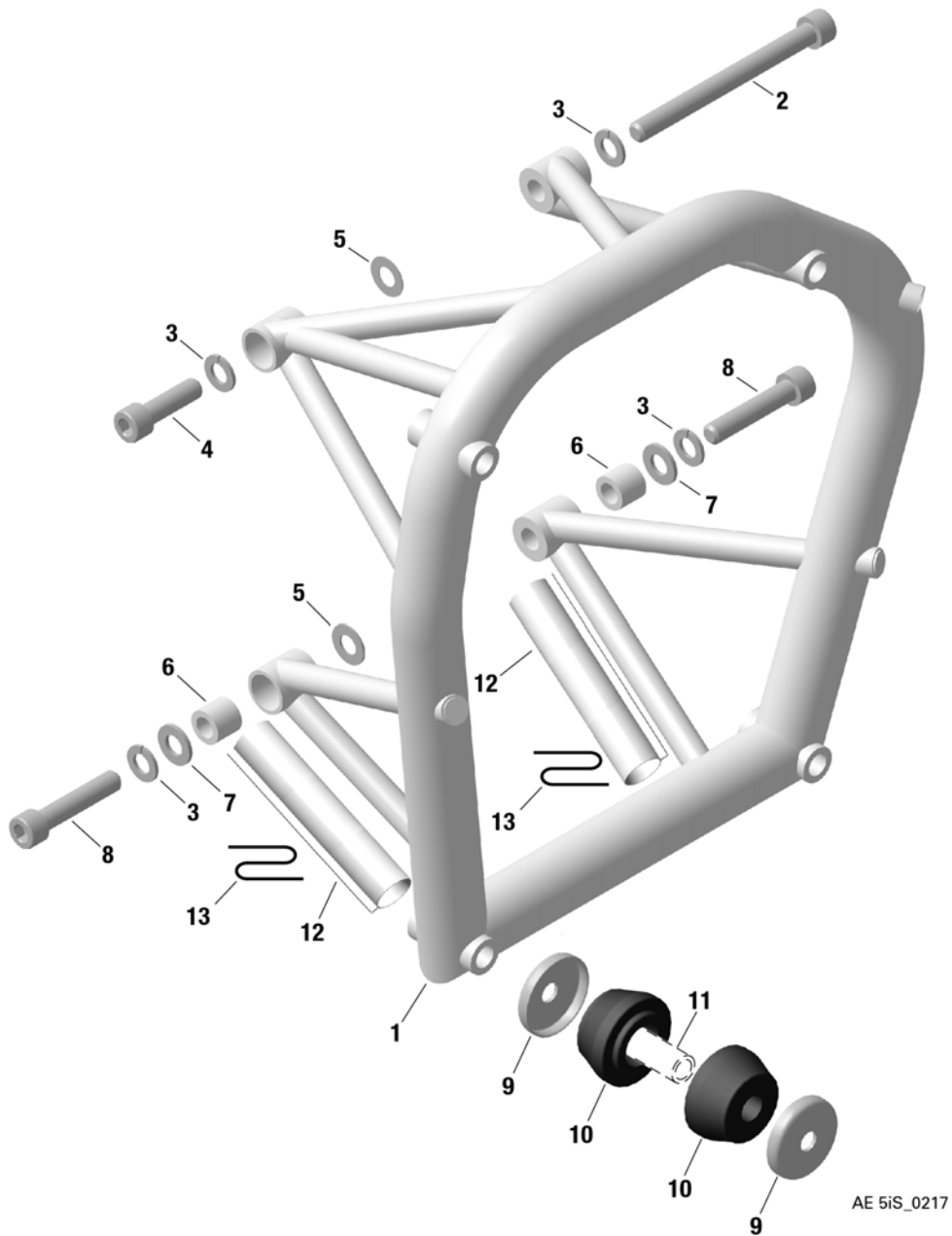
Chapter: 71-20-00
ENGINE SUSPENSION FRAME

TOPICS IN THIS CHAPTER

ENGINE SUSPENSION FRAME2

BRP-Rotax
ILLUSTRATED PARTS CATALOG

ENGINE SUSPENSION FRAME



AE 5iS_0217

Figure 5.1: 71-20-00

BRP-Rotax
ILLUSTRATED PARTS CATALOG

| Item No. | Sta-tus | Part No. | In-dent | Description | Parts per Engine | | SI-PAC |
|----------|-----------|------------------|---------|--|------------------|-----------|--------|
| | | | | | 915 iS A | 915 iSc A | |
| 1 | N s.v. | 886563 886561 | .1 | ENGINE SUSPENSION FRAME ASSY. | 1 | 1 | |
| 2 | | 941487 | .1 | ALLEN SCREW M10x110 | 1 | 1 | |
| 3 | N s.v. | 945753 945833 | .1 | LOCK WASHER A10 | 4 | 4 | |
| 4 | | 840948 | .1 | ALLEN SCREW M10x35 | 1 | 1 | |
| 5 | | 927952 | .1 | THRUST WASHER 10.1/20/0.5 | AR | AR | |
| 5 | | 927953 | .1 | THRUST WASHER 10.1/20/1.0 | AR | AR | |
| 6 | | 847841 | .1 | SPACER 10.5/17/15 | 2 | 2 | |
| 7 | | 927410 | .1 | WASHER 10.5 | 2 | 2 | |
| 8 | | 640572 | .1 | ALLEN SCREW M10x50 | 2 | 2 | |
| 9-10 | | 860695 | .1 | SHOCK MOUNT SET NC | 1 | 1 | 004 |
| 9 | | 944240 | ..2 | CUP WASHER NC | 8 | 8 | 004 |
| 10 | | 860690 | ..2 | SHOCK-MOUNT NC | 8 | 8 | 004 |
| 11 | n.a. | | .1 | STRUT not available at BRP-Rotax NC | 4 | 4 | 004 |
| 12 | | 860650 | .1 | PROTECTION TUBE 110 MM | ARa | ARa | |
| 13 | | 297555 | .1 | SAFETY WIRE | AR | AR | |

a in a roll

BRP-Rotax
ILLUSTRATED PARTS CATALOG

INTENTIONALLY LEFT
BLANK

BRP-Rotax
ILLUSTRATED PARTS CATALOG

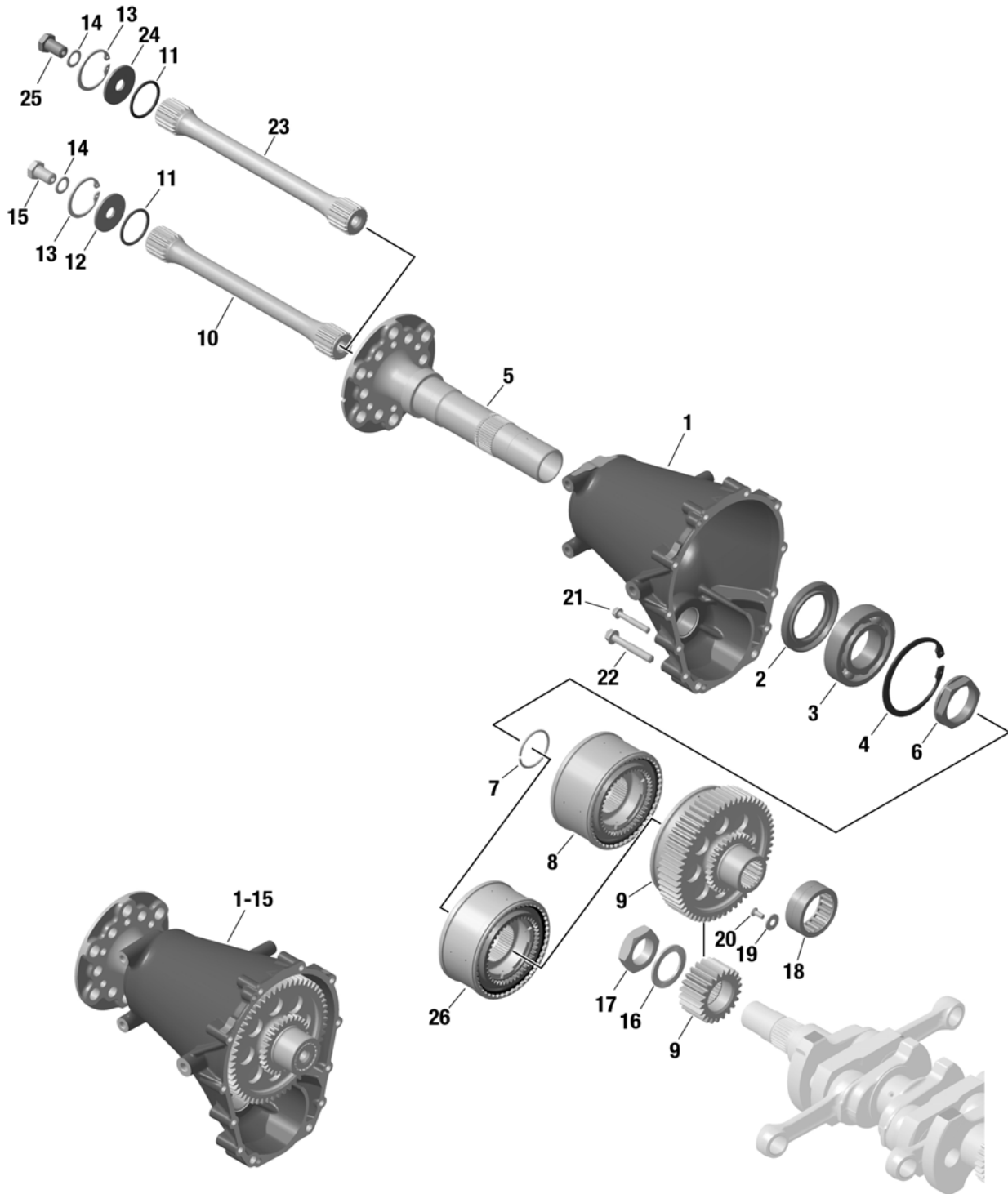
Chapter: 72-10-00
PROPELLER GEAR ASSY., OVERLOAD CLUTCH

TOPICS IN THIS CHAPTER

| | |
|--|----------|
| PROPELLER GEAR ASSY..... | 2 |
| OVERLOAD CLUTCH, DAMPER CLUTCH..... | 5 |

BRP-Rotax
ILLUSTRATED PARTS CATALOG

PROPELLER GEAR ASSY.



AE 5iS_0704

Figure 6.1: Propeller gear assy.

BRP-Rotax
ILLUSTRATED PARTS CATALOG

| Item No. | Sta-tus | Part No. | In-dent | Description | Parts per Engine | | SI-PAC |
|----------|---------|----------|---------|---|------------------|-----------|--------|
| | | | | | 915 iS A | 915 iSc A | |
| 1-15 | | 686790 | .1 | PROPELLER GEAR ASSY. | 1 | 1 | |
| 1 | | 911985 | ..2 | GEARBOX HOUSING ASSY. | 1 | 1 | |
| 2 | | 950091 | ..2 | OIL SEAL AS 48x72x8 FKM | 1 | 1 | |
| 3 | | 832060 | ..2 | BALL BEARING 6208 TN9 C3 | 1 | 1 | |
| 4 | | 845120 | ..2 | RETAINING RING 80x2.85 | 1 | 1 | |
| 5 | | 837221 | ..2 | PROPELLER SHAFT | 1 | 1 | |
| 6 | | 942320 | ..2 | COLLAR NUT M40x1.5 LH | 1 | 1 | |
| 7 | | 245935 | ..2 | RETAINING RING A 38 | 1 | 1 | |
| 8 | | 958418 | ..2 | DAMPER CLUTCH ASSY. | 1 | 1 | |
| 9 | | 958412 | ..2 | OVERLOAD CLUTCH ASSY. 56 T | 1 | 1 | |
| 10 | | 837200 | ..2 | TORSION SHAFT | 1 | 1 | |
| 11 | | 230915 | ..2 | O-RING 33x3-N, FPM 75 | 1 | 1 | |
| 12 | | 827470 | ..2 | SEALING WASHER 40x12.1x2.5 | 1 | 1 | |
| 13 | | 945880 | ..2 | RETAINING RING 40x1.75 | 1 | 1 | |
| 14 | | 250640 | ..2 | SEALING RING A12x18 | 1 | 1 | |
| 15 | | 841150 | ..2 | HEX. SCREW M12x20 A2-70 | 1 | 1 | |
| 16 | | 845431 | .1 | FRICTION WASHER VS30 | 1 | 1 | |
| 17 | | 842579 | .1 | HEX. NUT M30x1.5 12 MM, LH | 1 | 1 | |
| 18 | | xxx | .1 | NEEDLE BEARING RNA 49/32 see chap. 61-20-00 | 1 | 1 | |
| 19 | | xxx | .1 | THRUST WASHER 22/27.5/2.3 see chap. 61-20-00 | 1 | 1 | |
| 20 | | xxx | .1 | COUNTERSUNK SCREW M5x12 see chap. 61-20-00 | 1 | 1 | |
| 21 | | 440282 | .1 | HEX. / TORX-FLANGE SCREW M6x40-SW8/T30 | 10 | 10 | |
| 22 | | 940077 | .1 | HEX. / TORX-FLANGE SCREW M8x45-SW10/T40 | 2 | 2 | |
| 23 | | 837201 | .1 | TORSION SHAFT | 1a | 1a | |
| 24 | | 827472 | .1 | SEALING WASHER 40x12.1x2.5 | 1a | 1a | |

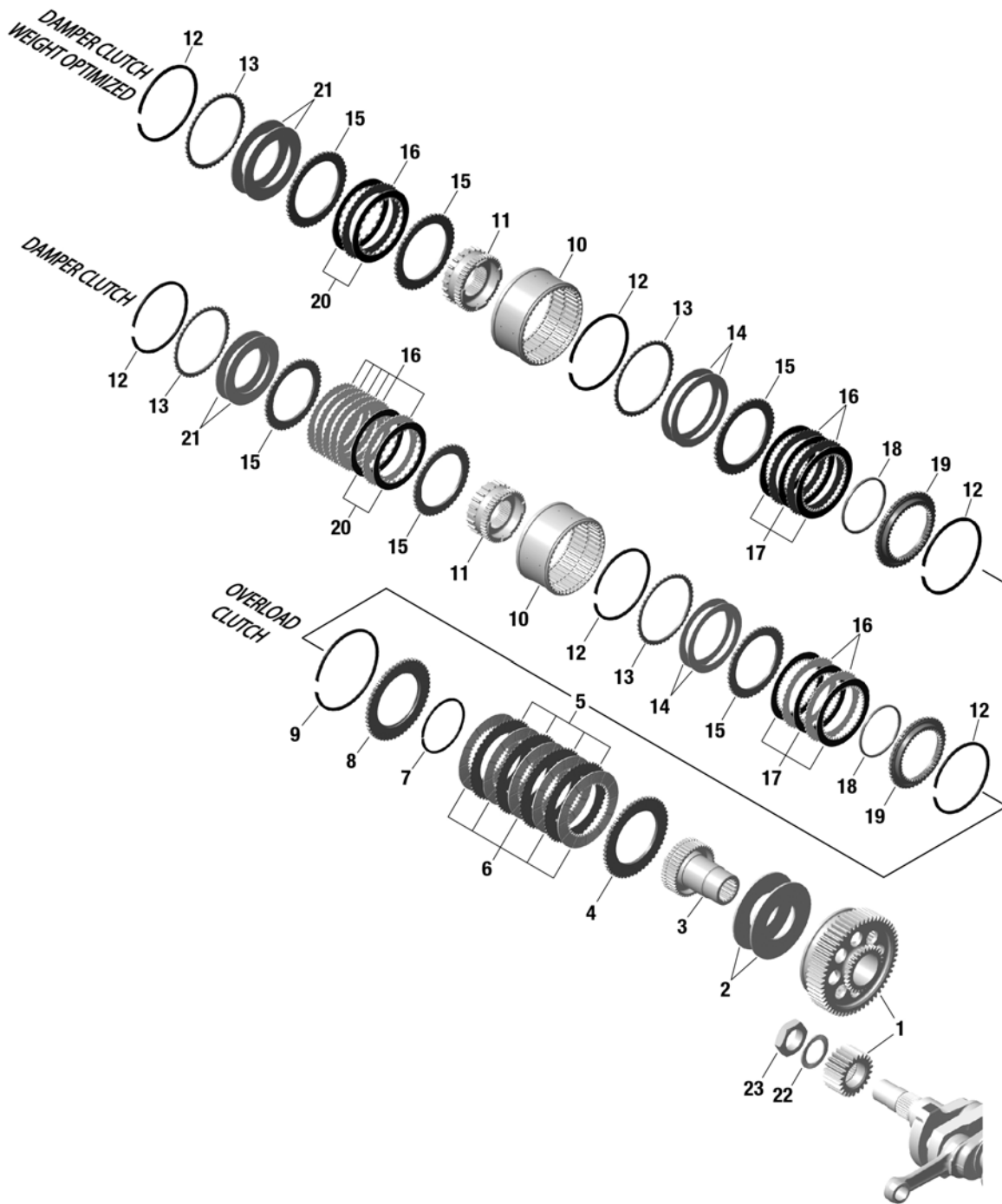
BRP-Rotax
ILLUSTRATED PARTS CATALOG

| Item No. | Sta-tus | Part No. | In-dent | Description | Parts per Engine | | SI-PAC |
|----------|---------|----------|---------|---------------------|------------------|-----------|--------|
| | | | | | 915 iS A | 915 iSc A | |
| 25 | | 841153 | .1 | HEX. SCREW M12x20 | 1a | 1a | |
| 26 | | 958419 | .1 | DAMPER CLUTCH ASSY. | 1b | 1b | |

- a** Configuration 2
- b** weight optimized

BRP-Rotax
ILLUSTRATED PARTS CATALOG

OVERLOAD CLUTCH, DAMPER CLUTCH



AE 5iS_0705

Figure 6.2

BRP-Rotax
ILLUSTRATED PARTS CATALOG

| Item No. | Sta-tus | Part No. | In-dent | Description | Parts per Engine | | SI-PAC |
|----------|-----------|------------------|---------|------------------------------|------------------|-----------|--------|
| | | | | | 915 iS A | 915 iSc A | |
| 1-9 | N s.v. | 958413 958412 | .1 | OVERLOAD CLUTCH ASSY. | 1 | 1 | |
| 1 | N s.v. | 886546 886544 | ..2 | GEAR SET | 1 | 1 | |
| 2 | | 938092 | ..2 | DISK SPRING 102x49x2.8 | 2 | 2 | |
| 3 | N s.v. | 837232 837231 | ..2 | INTERMEDIATE SHAFT | 1 | 1 | |
| 4 | | 958400 | ..2 | STEEL FRICTION PLATE 4.0 MM | 1 | 1 | |
| 5 | | 958160 | ..2 | STEEL FRICTION PLATE 1.0 MM | 4 | 4 | |
| 6 | N s.v. | 958176 958174 | ..2 | SINTER FRICTION PLATE 1.8 MM | 5 | 5 | |
| 7 | | 945080 | ..2 | CIRCLIP SW 68 | 1 | 1 | |
| 8 | | 958402 | ..2 | STEEL FRICTION PLATE 4.0 MM | 1 | 1 | |
| 9 | | 945075 | ..2 | CIRCLIP SB 105 | 1 | 1 | |
| 10-21 | | 958419 | .1 | DAMPER CLUTCH ASSY. | 1a | 1a | |
| 10-21 | | 958418 | .1 | DAMPER CLUTCH ASSY. | 1 | 1 | |
| 10 | | 958043 | ..2 | CLUTCH DRUM ASSY. | 1a | 1a | |
| 10 | | 958042 | ..2 | CLUTCH DRUM ASSY. | 1 | 1 | |
| 11 | | 958023 | ..2 | CLUTCH HUB | 1a | 1a | |
| 11 | | 958022 | ..2 | CLUTCH HUB | 1 | 1 | |
| 12 | | 945070 | ..2 | CIRCLIP SB 93 | 3 | 3 | |
| 13 | | 927021 | ..2 | SUPPORT RING | 2 | 2 | |
| 14 | | 938098 | ..2 | DISK SPRING 91.5X71X1.5 | 2 | 2 | |
| 15 | | 959420 | ..2 | STEEL FRICTION PLATE 3.0 MM | 3 | 3 | |
| 16 | N s.v. | 958932 958931 | ..2 | STEEL FRICTION PLATE 1.0 MM | 8 | 8 | |
| 17 | N s.v. | 958993 958991 | ..2 | FRICTION PLATE 1.54 MM | 3 | 3 | |
| 18 | | 847895 | ..2 | SPACER RING 69/64.1/3.0 | 1 | 1 | |
| 19 | N s.v. | 958103 958102 | ..2 | DRIVING COLLAR | 1 | 1 | |
| 20 | N s.v. | 958994 958992 | ..2 | FRICTION PLATE 1.54 MM | 2 | 2 | |

BRP-Rotax
ILLUSTRATED PARTS CATALOG

| Item No. | Sta-tus | Part No. | In-dent | Description | Parts per Engine | | SI-PAC |
|----------|---------|----------|---------|----------------------------|------------------|-----------|--------|
| | | | | | 915 iS A | 915 iSc A | |
| 21 | | 938099 | ..2 | DISK SPRING 91.5X60X2.1 | 2 | 2 | |
| 22 | | 845431 | ..2 | FRICION WASHER VS30 | 1 | 1 | |
| 23 | | 842579 | ..2 | HEX. NUT M30x1.5 12 MM, LH | 1 | 1 | |

a weight optimized, 5 mm shorter, 5 steel friction plates less

BRP-Rotax
ILLUSTRATED PARTS CATALOG

INTENTIONALLY LEFT
BLANK

BRP-Rotax
ILLUSTRATED PARTS CATALOG

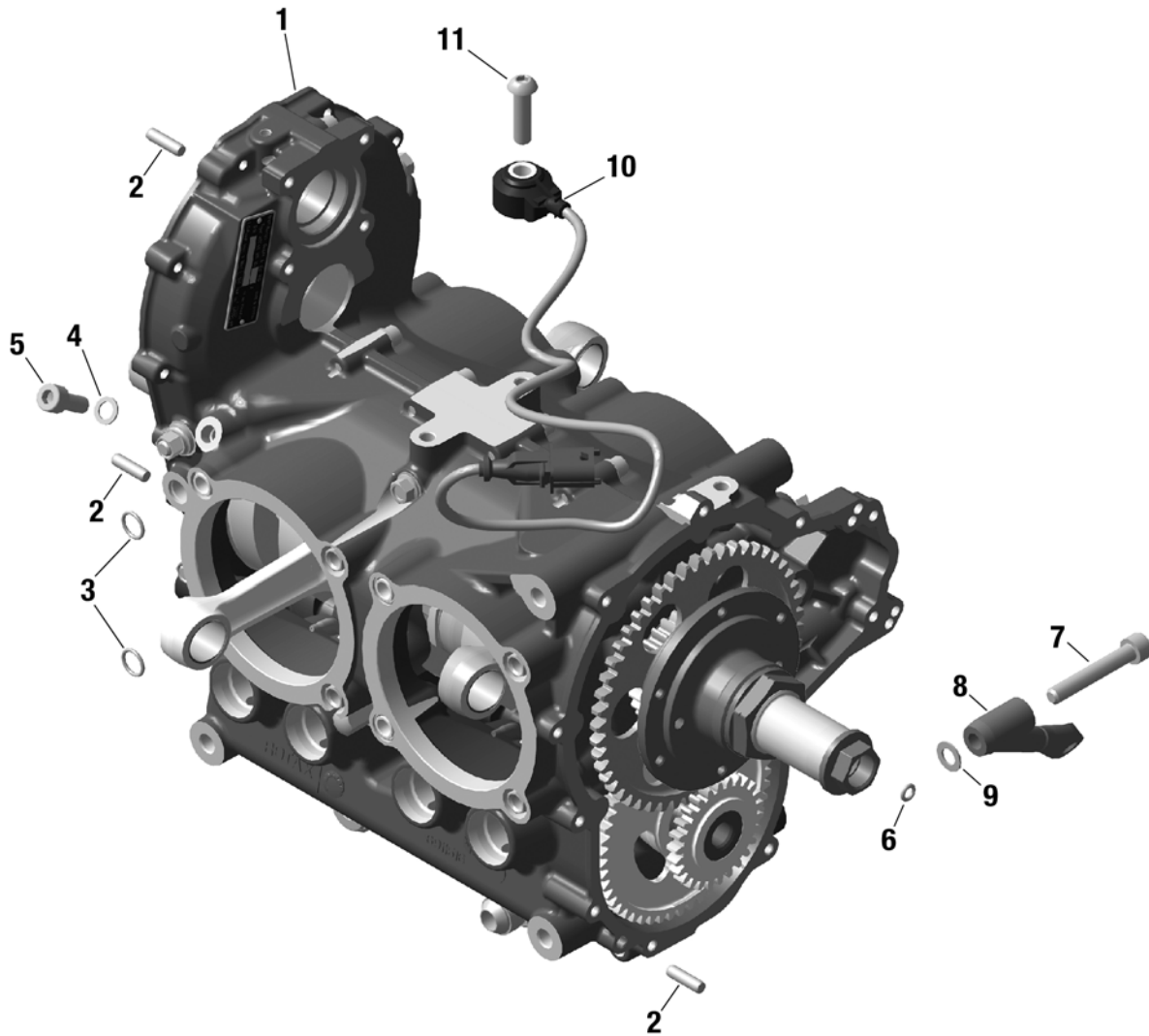
Chapter: 72-20-00
CRANKCASE, CRANKSHAFT, PISTON, CYLINDER, SPRAG CLUTCH,
CAMSHAFT, VALVE TRAIN, CYLINDER HEAD, VALVE COVER

TOPICS IN THIS CHAPTER

| | |
|--|----------|
| CRANKCASE | 2 |
| CRANKSHAFT, PISTON, CYLINDER, SPRAG CLUTCH | 4 |
| CAMSHAFT, VALVE TRAIN, CYLINDER HEAD, VALVE COVER | 6 |

BRP-Rotax
ILLUSTRATED PARTS CATALOG

CRANKCASE



AE 5iS_0258

Figure 7.1: 72-20-00

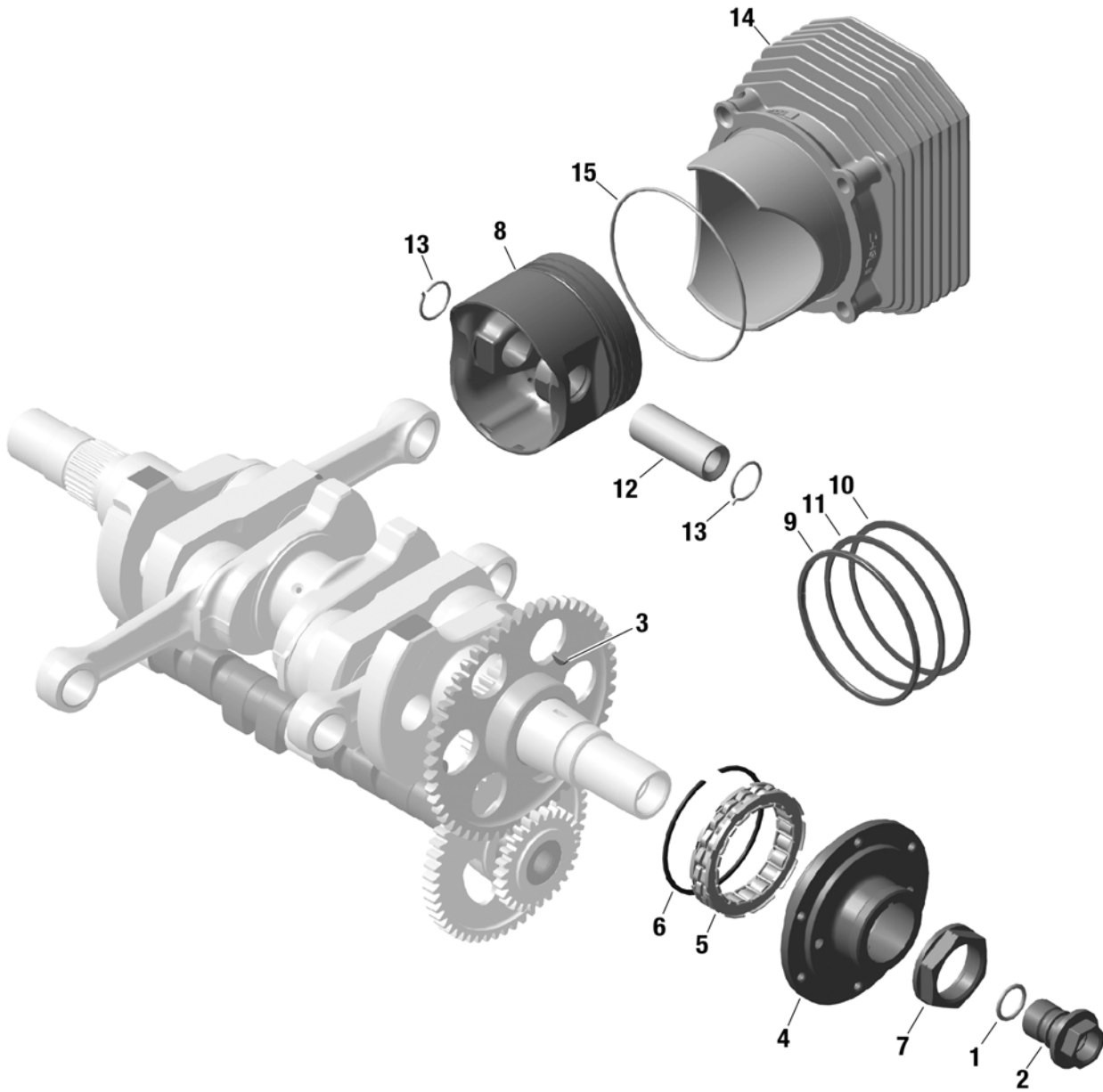
BRP-Rotax
ILLUSTRATED PARTS CATALOG

| Item No. | Sta-tus | Part No. | Indent | Description | Parts per Engine | | |
|----------|---------|-----------|--------|---|------------------|-----------|--------|
| | | | | | 915 iS A | 915 iSc A | SI-PAC |
| 1 | | 300091501 | .1 | ENGINE BLOCK | 1a | 1a | |
| 2 | | 429230 | .1 | DOWEL 6x20 | 2 | 2 | |
| 3 | | 431570 | .1 | O-RING 10.82Xx1.78-N, FPM 70 | 8 | 8 | |
| 4 | | 950141 | .1 | SEALING RING A 8x13 | 1 | 1 | |
| 5 | | 240071 | .1 | ALLEN SCREW M8x20 | 1 | 1 | |
| 6 | | 831929 | .1 | O-RING 5x2 | 1 | 1 | |
| 7 | | 440107 | .1 | ALLEN SCREW M8x50 | 1 | 1 | |
| 8 | | xxx | .1 | MANIFOLD BRACKET ASSY. see chap. 78-10-00 | 1 | 1 | |
| 9 | | xxx | .1 | WASHER 8.4/15.1 see chap. 78-10-00 | 1 | 1 | |
| 10 | | 866270 | .1 | KNOCK SENSOR | 1 | 1 | |
| 11 | | 570661 | .1 | BINDING HEAD SCREW M8x30 | 1 | 1 | |

a with crankshaft, freewheel

BRP-Rotax
ILLUSTRATED PARTS CATALOG

CRANKSHAFT, PISTON, CYLINDER, SPRAG CLUTCH



AE 5iS_0259

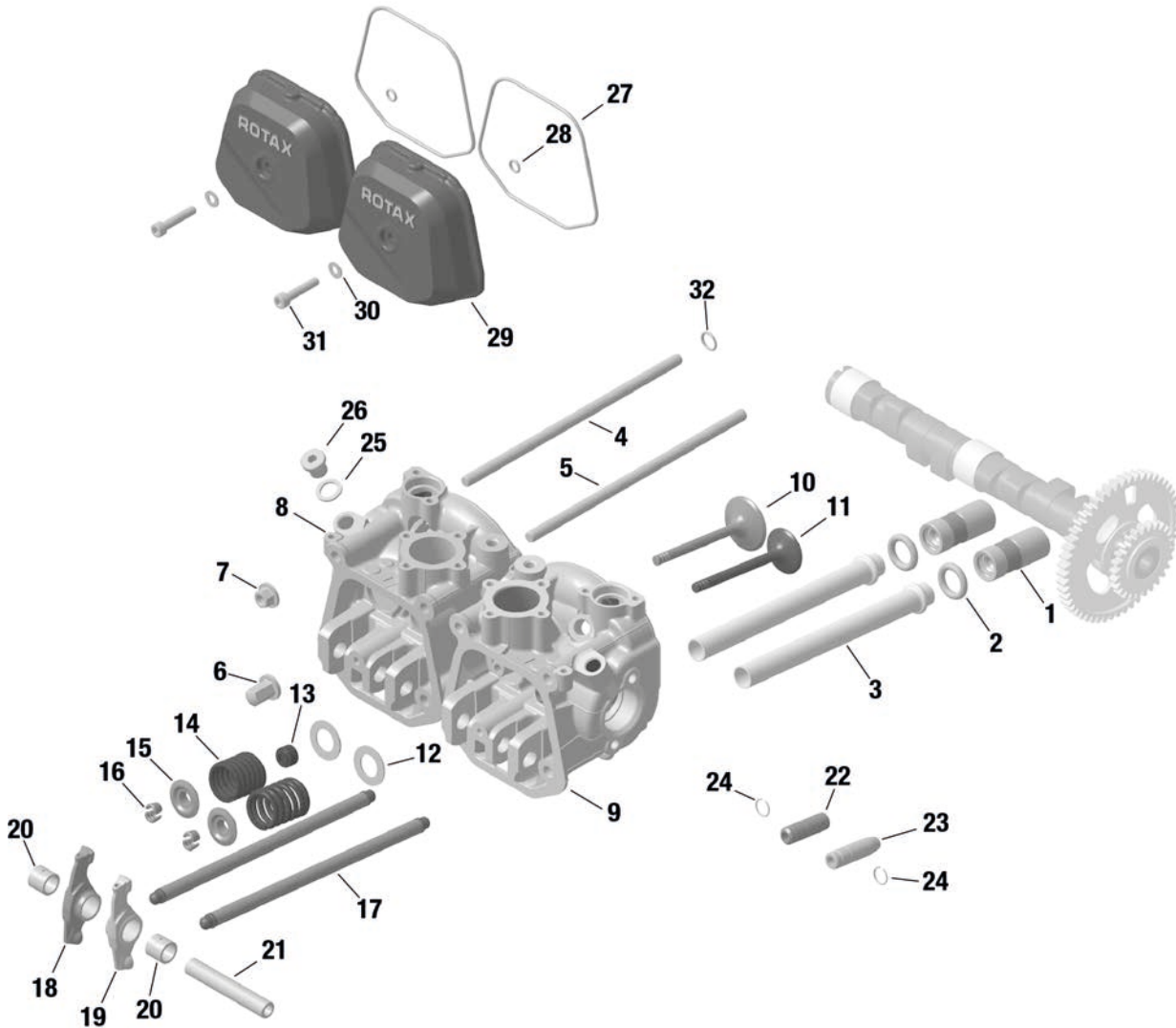
Figure 7.2: 72-20-00

BRP-Rotax
ILLUSTRATED PARTS CATALOG

| Item No. | Sta-tus | Part No. | In- dent | Description | Parts per Engine | | SI-PAC |
|----------|-----------|------------------|-------------|----------------------------------|------------------|-----------|--------|
| | | | | | 915 iS A | 915 iSc A | |
| 1 | | 430225 | .1 | O-RING 9X2,3-N, FPM 75 | 1 | 1 | |
| 2 | | 940526 | .1 | PLUG SCREW M20X1.5 | 1 | 1 | |
| 3 | | 246055 | .1 | WOODRUFF KEY 3x3.7 | 1 | 1 | |
| 4 | | 852407 | .1 | SPRAG CLUTCH HOUSING | 1 | 1 | |
| 5 | | 958856 | .1 | SPRAG CLUTCH 51.710x68,377x13 | 1 | 1 | |
| 6 | | 845425 | .1 | CIRCLIP 70 | 1 | 1 | |
| 7 | | 942250 | .1 | HEX. NUT M32x1.5 - LH | 1 | 1 | |
| 8 | N s.v. | 893927 893926 | .1 | PISTON ASSY. 84/84.01 MM | 4 | 4 | |
| 9 | N s.v. | 815232 815230 | .1 | OIL SCRAPER RING 84/76.5x3 | 4 | 4 | |
| 10 | | 815251 | .1 | RECTANGULAR RING 84/77x1.5 | 4 | 4 | |
| 11 | | 815280 | .1 | TAPERED COMPRESSION RING 84 | 4 | 4 | |
| 12 | | 916380 | .1 | PISTON PIN 20x12x51.3 | 4 | 4 | |
| 13 | | 845106 | .1 | MONOHOOK CIRCLIP 20 | 8 | 8 | |
| 14 | | 913228 | .1 | CYLINDER | 4 | 4 | |
| 15 | | 250510 | .1 | O-RING 87x2-N, FPM 75 | 4 | 4 | |

BRP-Rotax
ILLUSTRATED PARTS CATALOG

CAMSHAFT, VALVE TRAIN, CYLINDER HEAD, VALVE COVER



AE_5iS_0261

Figure 7.3: 72-20-00

72-20-00

Page 6
June 01 2019

Effectivity: 915 i A Series
Rev. 1

BRP-Rotax
ILLUSTRATED PARTS CATALOG

| Item No. | Sta-tus | Part No. | In- dent | Description | Parts per Engine | | |
|----------|---------|----------|-------------|---------------------------------|------------------|-----------|--------|
| | | | | | 915 iS A | 915 iSc A | SI-PAC |
| 1 | | 881832 | .1 | HYDRAULIC VALVE TAP- PET SET | 8 | 8 | |
| 2 | | 850930 | .1 | O-RING 16x5 | 8 | 8 | |
| 3 | | 924440 | .1 | OIL RETURN TUBE | 8 | 8 | |
| 4 | | 840171 | .1 | STUD M8x200 | 8 | 8 | |
| 5 | | 840141 | .1 | STUD M8x186 | 8 | 8 | |
| 6 | | 842476 | .1 | COLLAR CAP NUT M8 | 8 | 8 | |
| 7 | | 942302 | .1 | COLLAR NUT M8 | 8 | 8 | |
| 8 | | 623777 | .1 | CYLINDER HEAD 2/3 ASSY. | 2 | 2 | |
| 9 | | 623787 | .1 | CYLINDER HEAD 1/4 ASSY. | 2 | 2 | |
| 10 | | 854101 | .1 | INTAKE VALVE 38 MM | 4 | 4 | |
| 11 | | 854113 | .1 | EXHAUST VALVE 32 MM | 4 | 4 | |
| 12 | | 926210 | .1 | SHIM 16/27.4/1 | 8 | 8 | |
| 13 | | 230810 | .1 | VALVE STEM SEAL | 4 | 4 | |
| 14 | | 838156 | .1 | VALVE SPRING | 8 | 8 | |
| 15 | | 854186 | .1 | VALVE SPRING RETAINER | 8 | 8 | |
| 16 | | 253092 | .1 | VALVE COTTER | 16 | 16 | |
| 17 | | 854861 | .1 | VALVE PUSH-ROD ASSY. | 8 | 8 | |
| 18 | | 854383 | .1 | ROCKER ARM LEFT | 4 | 4 | |
| 19 | | 854393 | .1 | ROCKER ARM RIGHT | 4 | 4 | |
| 20 | | 933396 | .1 | BUSHING | 8 | 8 | |
| 21 | | 854193 | .1 | ROCKER ARM SHAFT | 4 | 4 | |
| 22 | | 854225 | .1 | VALVE GUIDE | 4 | 4 | |
| 23 | | 253114 | .1 | INLET VALVE GUIDE | 4 | 4 | |
| 24 | | 245440 | .1 | RETAINING RING A12 | 8 | 8 | |
| 25 | | 250015 | .1 | SEALING RING A12x18 | 3 | 3 | |
| 26 | | 841923 | .1 | PLUG SCREW M12x1.5 | 3 | 3 | |
| 27 | | 250285 | .1 | O-RING 105x2.5 | 4 | 4 | |
| 28 | | 430205 | .1 | O-RING 6.4x1.8 | 4 | 4 | |
| 29 | | 612265 | .1 | VALVE COVER SKY BLUE | 4 | 4 | |

BRP-Rotax
ILLUSTRATED PARTS CATALOG

| Item No. | Sta-tus | Part No. | In-ident | Description | Parts per Engine | | |
|----------|---------|----------|----------|------------------------------------|------------------|-----------|--------|
| | | | | | 915 iS A | 915 iSc A | SI-PAC |
| 30 | | 927941 | .1 | WASHER 6.0/12/1 | 4 | 4 | |
| 31 | | 840887 | .1 | ALLEN SCREW ISO 4762 M6x30 10.9 | 4 | 4 | |
| 32 | | 431570 | .1 | O-RING 10.82x1.78-N, FPM 70 | 8 | 8 | |
| 33 | | 881920 | .1 | O-RING SET | 1a | 1a | |

a consists of 4x 430205 and 4x 250285

BRP-Rotax
ILLUSTRATED PARTS CATALOG

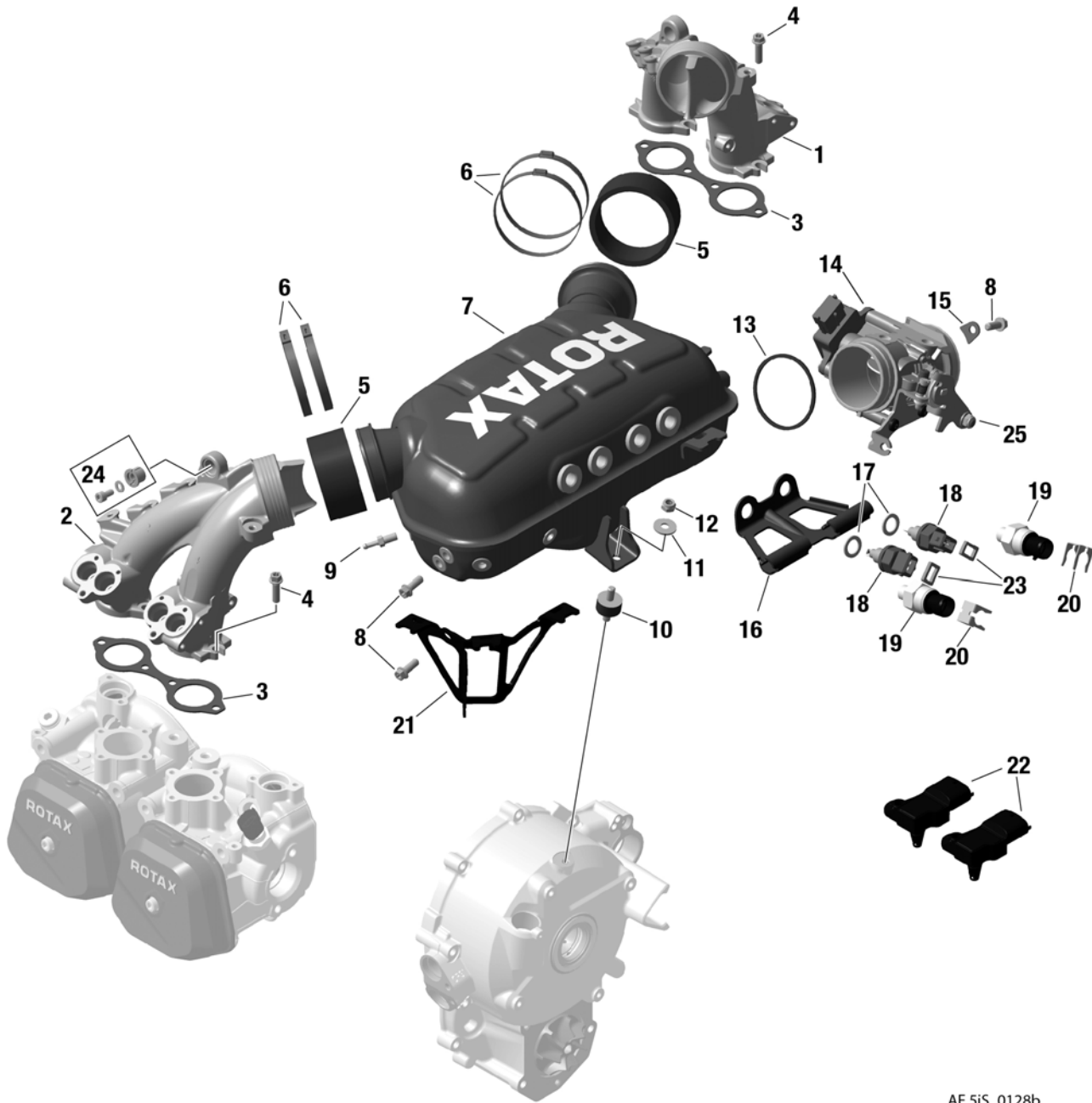
Chapter: 73-10-00
INTAKE MANIFOLD, AIRBOX, THROTTLE BODY SOCKET,
INTERCOOLER, WASTEGATE, FUEL INJECTOR, FUEL RAIL, PRESSURE
REGULATOR, FUEL RAIL COVER, FUEL PUMP ASSY.

TOPICS IN THIS CHAPTER

| | |
|--|-----------|
| INTAKE MANIFOLD, AIRBOX, THROTTLE BODY SOCKET | 2 |
| INTERCOOLER, WASTEGATE | 4 |
| FUEL INJECTOR, FUEL RAIL, PRESSURE REGULATOR, FUEL RAIL COVER | 7 |
| FUEL PUMP ASSY..... | 10 |

BRP-Rotax
ILLUSTRATED PARTS CATALOG

INTAKE MANIFOLD, AIRBOX, THROTTLE BODY SOCKET



AE 5iS_0128b

Figure 8.1: 73-10-00

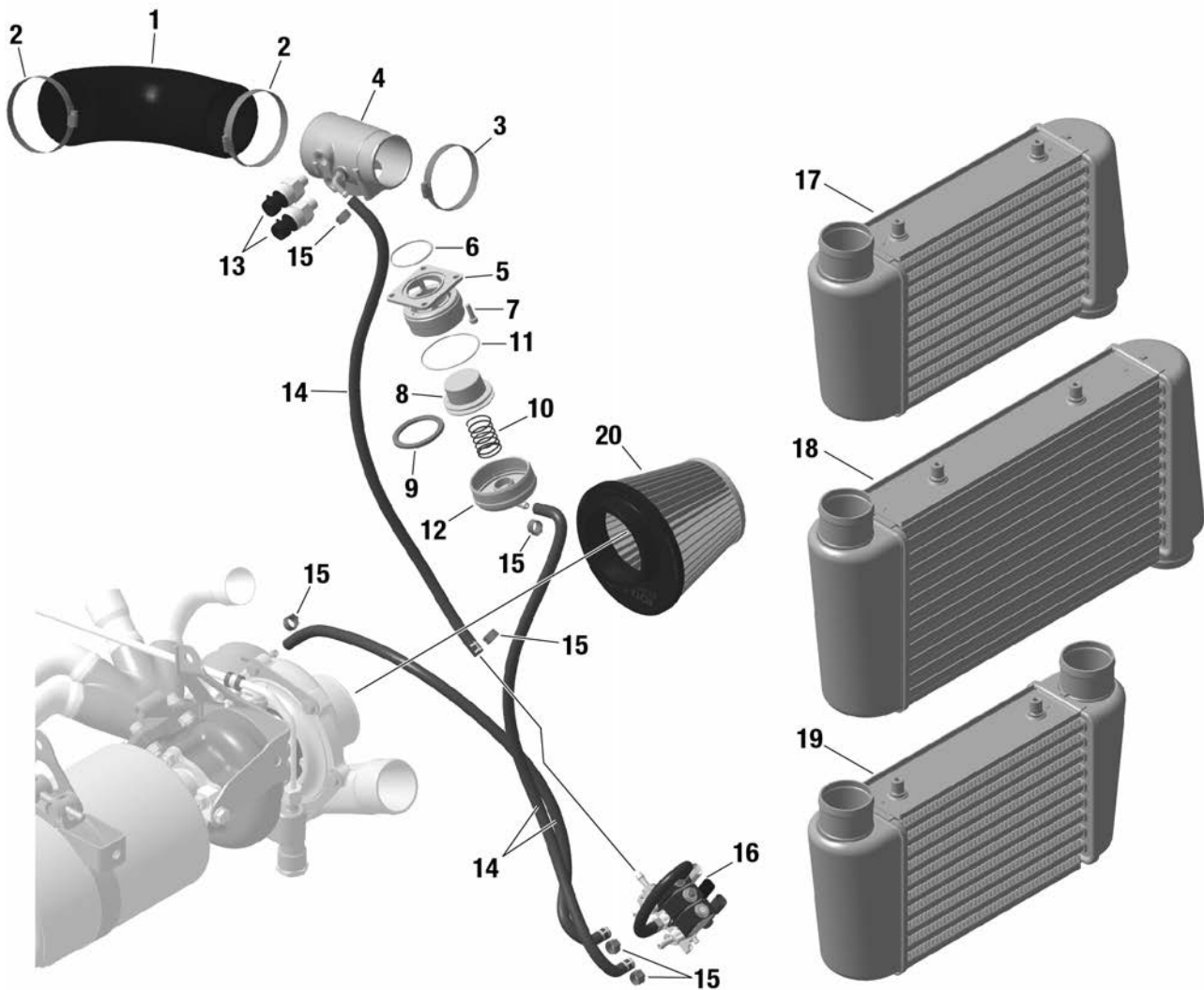
BRP-Rotax
ILLUSTRATED PARTS CATALOG

| Item No. | Status | Part No. | In- dent | Description | Parts per Engine | | SI- PAC |
|----------|--------|----------|-------------|---|------------------|-----------|------------|
| | | | | | 915 iS A | 915 iSc A | |
| 1 | | 667401 | .1 | INTAKE MANIFOLD 1/3 | 1 | 1 | |
| 2 | | 667406 | .1 | INTAKE MANIFOLD 2/4 | 1 | 1 | |
| 3 | | 850091 | .1 | ISOLATING FLANGE | 2 | 2 | |
| 4 | | 440207 | .1 | HEX./TORX-FLANGE SCREW M6x20-SW8/T30 | 8 | 8 | |
| 5 | | 460421 | .1 | CONNECTING SOCKET | 2 | 2 | |
| 6 | | 953093 | .1 | 1-EAR-CLAMP 66.3-69.5 MM | 4 | 4 | |
| 7 | | 667411 | .1 | AIRBOX | 1 | 1 | |
| 8 | | 440164 | .1 | HEX./TORX-FLANGE SCREW M6X16-SW8/T30 | 5 | 5 | |
| 9 | | 840672 | .1 | HOSE NIPPLE M6 | 1 | 1 | |
| 10 | | 860700 | .1 | RUBBER 20x10xM6 | 1 | 1 | |
| 11 | | 827968 | .1 | WASHER 6.4 | 1 | 1 | |
| 12 | | 842044 | .1 | LOCK NUT M6 | 1 | 1 | |
| 13 | | 850020 | .1 | RUBBER RING | 1 | 1 | |
| 14 | | 685055 | .1 | THROTTLE BODY SOCKET ASSY. | 1 | 1 | |
| 15 | | 953020 | .1 | SEPARATING PLATE | 3 | 3 | |
| 16 | | 651780 | .1 | CONNECTOR BRACKET | 1 | 1 | |
| 17 | | 250015 | .1 | SEALING RING A12x18 | 2 | 2 | |
| 18 | | 222421 | .1 | TEMPERATURE SENSOR | 2 | 2 | |
| 19 | | 664364 | .1 | PRESSURE SENSOR 2.0 | 2 | 2 | |
| 20 | | 638140 | .1 | CLIP | 2 | 2 | |
| 21 | | 951562 | .1 | CONNECTOR BRACKET | 1 | 1 | |
| 22 | | 874654 | .1 | PRESSURE-/TEMP. SENSOR | 2a | 2a | |
| 23 | | 850610 | .1 | CONNECTOR GASKET | 2 | 2 | |
| 24 | | 481485 | .1 | GOVERNOR CABLE KIT NC | | | 003 |
| 25 | | 440000 | .1 | FIXING SCREW ASSY. | 1 | 1 | |

a Ambient pressure and temperature

BRP-Rotax
ILLUSTRATED PARTS CATALOG

INTERCOOLER, WASTEGATE



AE 5iS_0693

Figure 8.2: 73-10-00

BRP-Rotax
ILLUSTRATED PARTS CATALOG

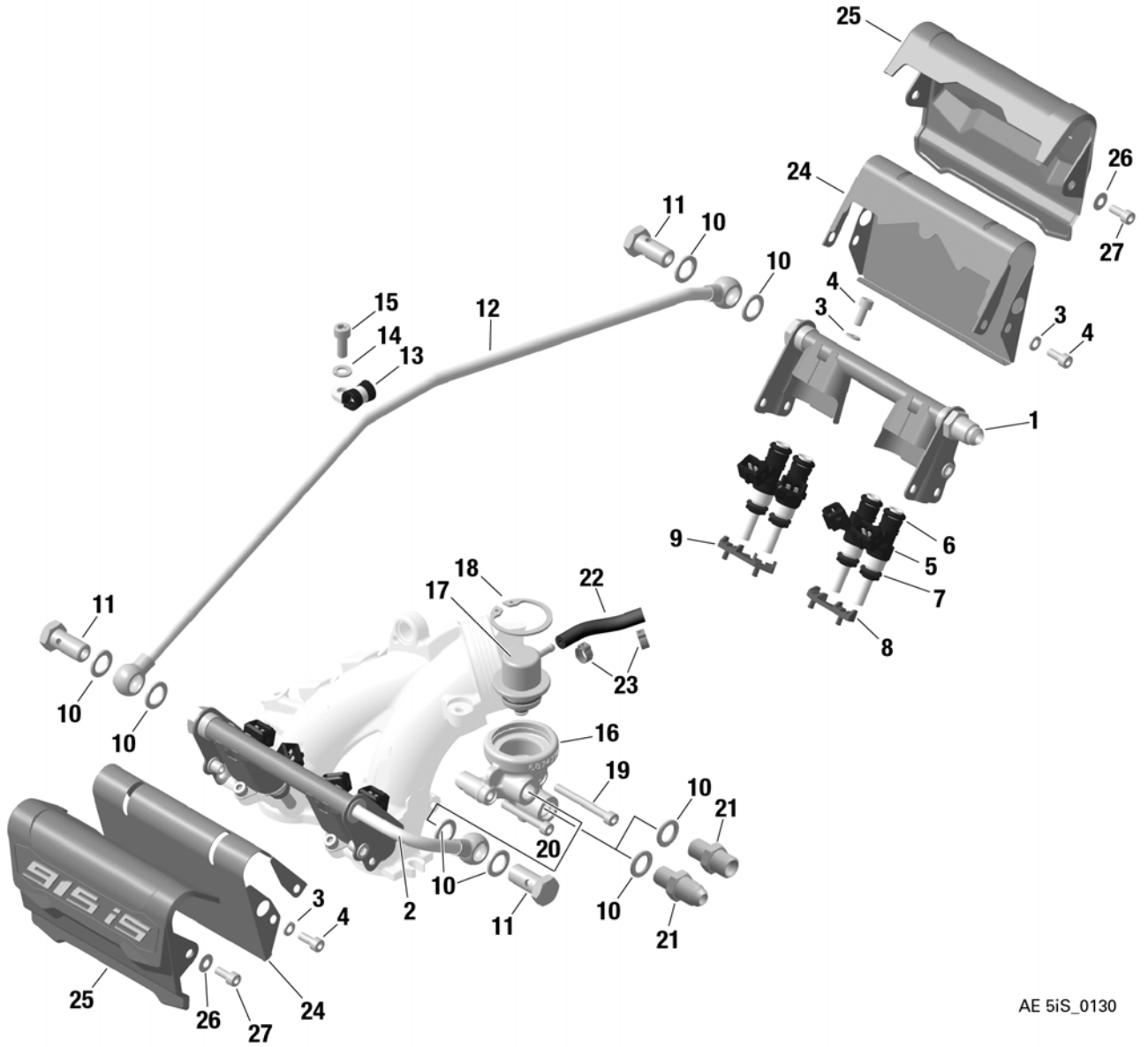
| Item No. | Sta-tus | Part No. | In-ident | Description | Parts per Engine | | SI-PAC |
|----------|-----------|------------------|----------|---------------------------------------|------------------|-----------|--------|
| | | | | | 915 iS A | 915 iSc A | |
| 1 | | 201015 | .1 | AIR INTAKE HOSE | 1 | 1 | |
| 2 | | 951791 | .1 | CLAMP 50-70 | 2 | 2 | |
| 3 | | 853381 | .1 | CLAMP 40-60 | 4 | 4 | 005 |
| 4-12 | | 481540 | .1 | POP OFF VALVE ASSY. | 1 | 1 | |
| 4 | N | 947785 | ..2 | REDUCTION SLEEVE | 1c | 1c | |
| 5 | | 812382 | ..2 | VALVE HOUSING | 1 | 1 | |
| 6 | | 431740 | ..2 | O-RING 38x2.4-N, VITON GLT 70 | 1 | 1 | |
| 7 | | 840514 | ..2 | ALLEN SCREW M5x16 | 4 | 4 | |
| 8 | | 667196 | ..2 | VALVE PISTON | 1 | 1 | |
| 9 | | 631333 | ..2 | LIP SEAL 50-42-4.5 | 1 | 1 | |
| 10 | | 838372 | ..2 | COMPRESSION SPRING DM22 D1.5 L65 | 1 | 1 | |
| 11 | | 450390 | ..2 | O-RING 54x2-N, FPM | 1 | 1 | |
| 12 | N | 812395 | ..2 | VALVE COVER | 1c | 1c | |
| 13 | | 664364 | .1 | PRESSURE SENSOR 2.0 | 2 | 2 | |
| 14 | N s.v. | 874338 874333 | .1 | CONTROL HOSE 600 MM FUEL HOSE 6x11 | 3b ARb | 3b ARb | |
| 15 | | 851468 | .1 | CLAMP 10.3 – 12.8 | 5 | 5 | |
| 16 | | 664638 | .1 | SOLENOID VALVE | 1 | 1 | |
| 17 | | 888962 | .1 | INTERCOOLER | 1a | 1a | 005 |
| 18 | | 888963 | .1 | INTERCOOLER NC | 1 | 1 | 005 |
| 19 | | 888965 | .1 | INTERCOOLER NC | 1 | 1 | 005 |
| 20 | | 825900 | .1 | AIRFILTER NC | 1 | 1 | 006 |

BRP-Rotax
ILLUSTRATED PARTS CATALOG

- a** standard, see Installation Manual
- b** fuel hose in a roll, control hose 3 pcs. with 600 mm
- c** with impulse elbow integrated

BRP-Rotax
ILLUSTRATED PARTS CATALOG

FUEL INJECTOR, FUEL RAIL, PRESSURE REGULATOR, FUEL RAIL COVER



AE 5iS_0130

Figure 8.3: 73-10-00

BRP-Rotax
ILLUSTRATED PARTS CATALOG

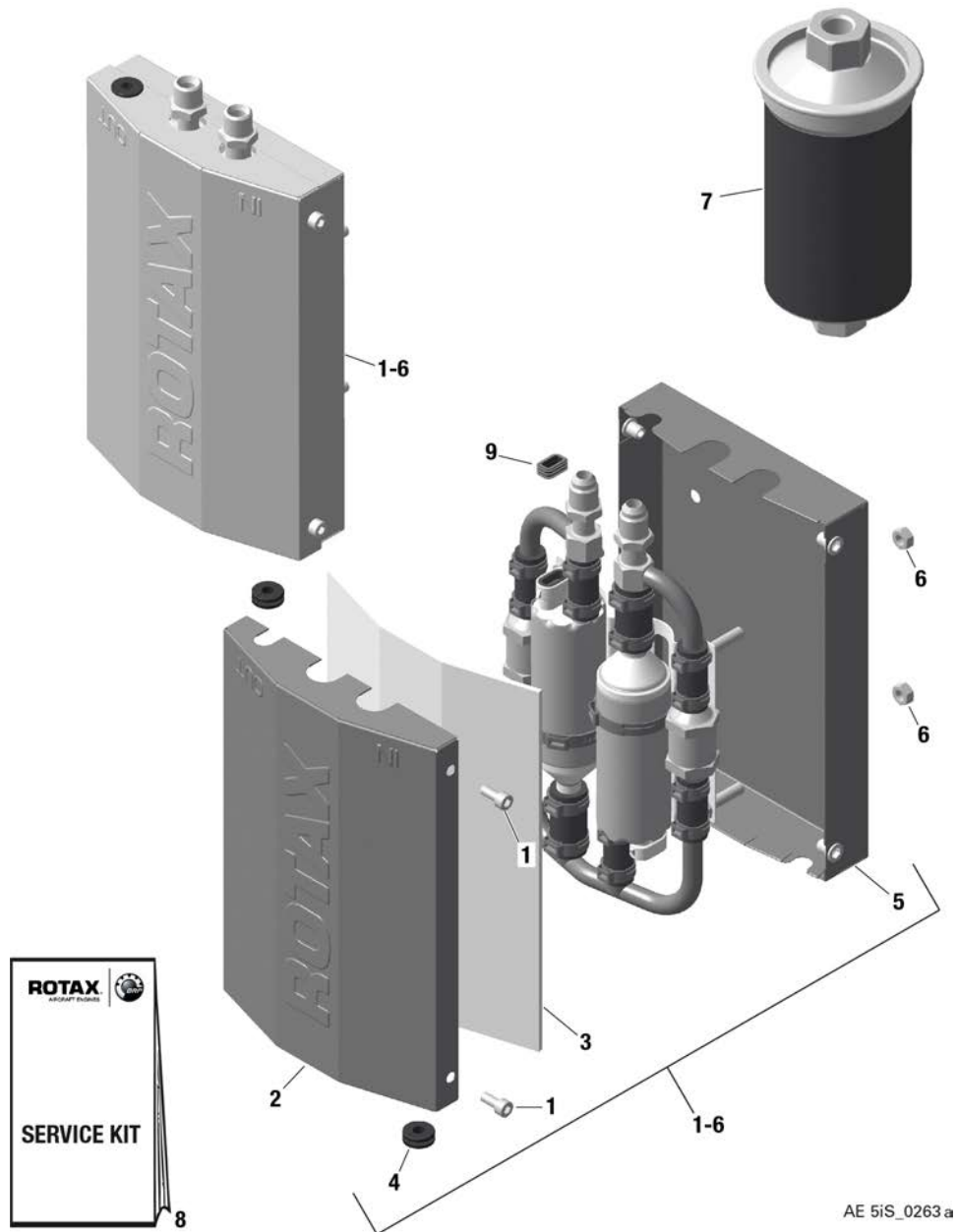
| Item No. | Sta-tus | Part No. | In-dent | Description | Parts per Engine | | SI-PAC |
|----------|-----------|------------------|---------|-------------------------------|------------------|-----------|--------|
| | | | | | 915 iS A | 915 iSc A | |
| 1 | | 874795 | .1 | FUEL RAIL 1/3 (RIGHT) | 1 | | |
| 2 | | 874797 | .1 | FUEL RAIL 2/4 (LEFT) | 1 | | |
| 3 | | 945750 | .1 | LOCK WASHER A5 | 11 | | |
| 4 | | 640542 | .1 | ALLEN SCREW M5x12 | 11 | | |
| 5-7 | | 874780 | .1 | FUEL INJECTOR | 8 | | |
| 6 | | 831060 | ..2 | O-RING 7.52x3.51 | 8 | | |
| 7 | | 831050 | ..2 | O-RING 8.54x3.1 VITON B70 | 8 | | |
| 8 | | 860042 | .1 | DAMPER LEFT | 2 | | |
| 9 | | 860040 | .1 | DAMPER RIGHT | 2 | | |
| 10 | | 250640 | .1 | SEALING RING A 12x18-CU | 7 | | |
| 11 | | 641541 | .1 | BANJO BOLT | 3 | | |
| 12 | | 874802 | .1 | FUEL LINE ASSY. | 1 | | |
| 13 | | 853412 | .1 | CABLE CLAMP | 1 | | |
| 14 | N s.v. | 945831 945751 | .1 | LOCK WASHER A6 | 1 | | |
| 15 | | 241239 | .1 | ALLEN SCREW M6x16 | 1 | | |
| 16 | | 874770 | .1 | PRESSURE REGULATOR HOUSING | 1 | | |
| 17 | | 889262 | .1 | FUEL PRESSURE REGULATOR ASSY. | 1 | | |
| 18 | | 845650 | .1 | RETAINING RING 36x1,5 | 1 | | |
| 19 | N s.v. | 941792 941791 | .1 | ALLEN SCREW M5x45 | 1 | | |
| 20 | N s.v. | 841502 841501 | .1 | ALLEN SCREW M5x35 | 1 | | |
| 21 | | 840700 | .1 | ADAPTER 9/16 UNF/M12x1.5 | 1 | | |
| 21 | | 856821 | .1 | ADAPTER METRIC M14/M12 | 1 | | |
| 22 | | 960631 | .1 | TUBE 60 +/-3 MM | 1 | | |
| 23 | | 853653 | .1 | 1-EAR-CLAMP | 2 | | |
| 24 | | 975090 | .1 | HEAT SHIELD | 2 | | |
| 25 | | 975065 | .1 | COVERING FUEL RAIL | 2 | | |

BRP-Rotax
ILLUSTRATED PARTS CATALOG

| Item No. | Sta-tus | Part No. | In-dent | Description | Parts per Engine | | SI-PAC |
|----------|---------|----------|---------|--------------------------|------------------|-----------|--------|
| | | | | | 915 iS A | 915 iSc A | |
| 26 | | 939445 | .1 | SPRING WASHER 12x5.2x0.5 | 4 | | |
| 27 | | 640542 | .1 | ALLEN SCREW M5x12 | 4 | | |

BRP-Rotax
ILLUSTRATED PARTS CATALOG

FUEL PUMP ASSY.



AE 5iS_0263 a

Figure 8.4: 73-10-00

BRP-Rotax
ILLUSTRATED PARTS CATALOG

| Item No. | Status | Part No. | In- dent | Description | Parts per Engine | | SI- PAC |
|----------|-----------|------------------|-------------|--|------------------|-----------|------------|
| | | | | | 915 iS A | 915 iSc A | |
| 1-6 | | 889697 | .1 | FUEL PUMP ASSY. UNF NC | 1ac | | 016 |
| 1-6 | | 889699 | .1 | FUEL PUMP ASSY. METRIC NC | 1bc | | 016 |
| 1 | S.v. N | 640541 640542 | ..2 | ALLEN SCREW M5x12 ALLEN SCREW M5x12 NC | 4 | | 016 |
| 2 | | 911790 | ..2 | COVER NC | 1 | | 016 |
| 3 | | 975055 | ..2 | HEAT PROTECTION MAT NC | 1 | | 016 |
| 4 | | 201160 | ..2 | RUBBER GROMMET NC | 2 | | 016 |
| 5 | | 911700 | ..2 | HOUSING NC | 1 | | 016 |
| 6 | | 242213 | ..2 | HEX. NUT M6 NC | 8 | | 016 |
| 7 | | 874060 | .1 | FUEL FILTER NC | 1 | | 007 |
| 8 | | 889537 | .1 | SERVICE KIT NC | 1 | | 008 |
| 9 | | xxx | .1 | CONNECTOR GASKET see chap. 76-50-00 | 2 | | |

- a** Thread 9/16 18 UNF
- b** Thread M14x1.5
- c** With gaskets for connectors

BRP-Rotax
ILLUSTRATED PARTS CATALOG

INTENTIONALLY LEFT
BLANK

BRP-Rotax
ILLUSTRATED PARTS CATALOG

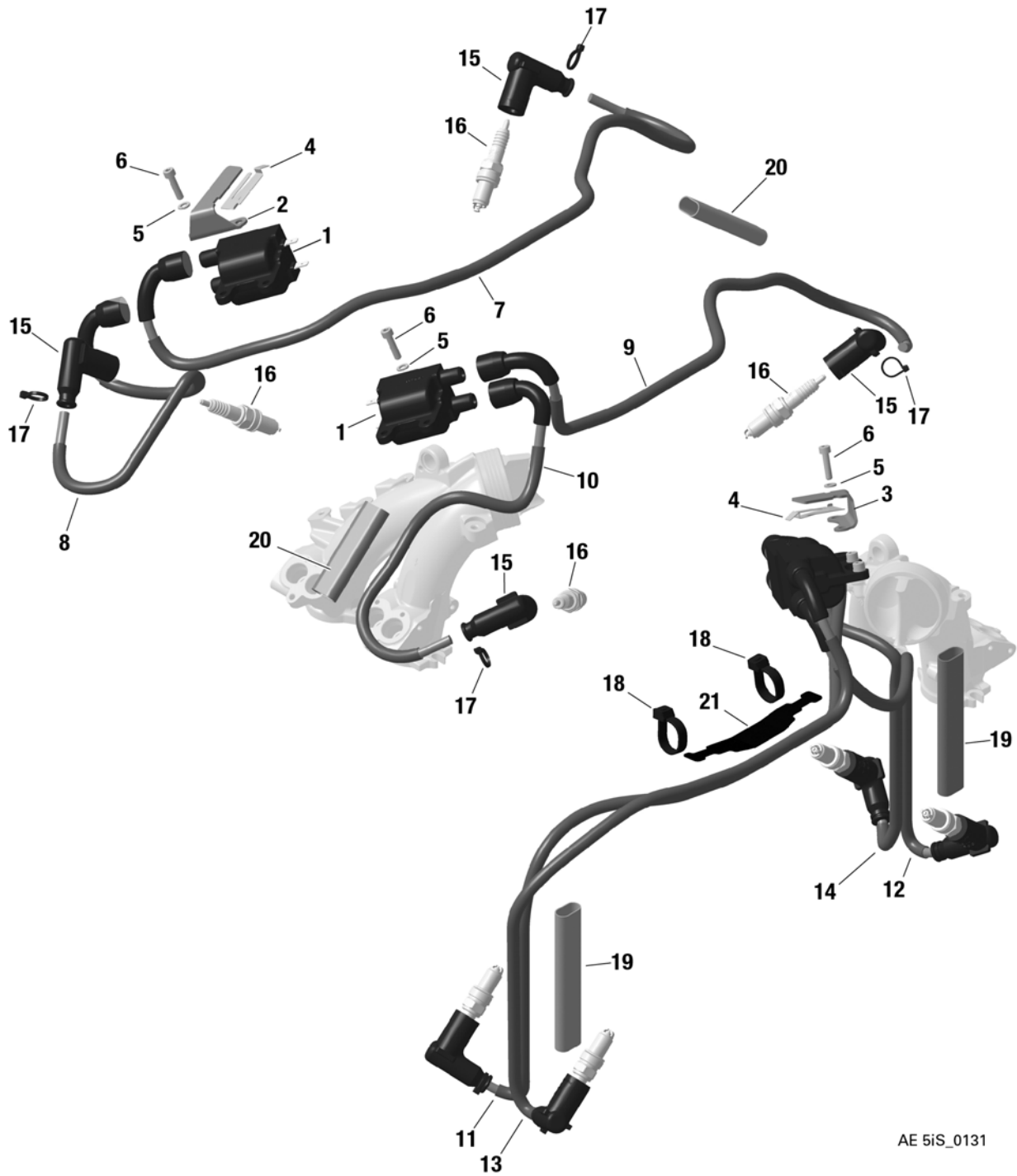
Chapter: 74-20-00
IGNITION COILS, IGNITION CABLE, SPARK PLUG CONNECTOR, SPARK
PLUG

TOPICS IN THIS CHAPTER

IGNITION COILS, IGNITION CABLE, SPARK PLUG CONNECTOR, SPARK
PLUG2

BRP-Rotax
ILLUSTRATED PARTS CATALOG

**IGNITION COILS, IGNITION CABLE, SPARK PLUG CONNECTOR, SPARK
PLUG**



AE 5iS_0131

74-20-00

Page 2
June 01 2019

Effectivity: 915 i A Series
Rev. 1

BRP-Rotax
ILLUSTRATED PARTS CATALOG

| Item No. | Status | Part No. | In- dent | Description | Parts per Engine | | SI- PAC |
|----------|--------|----------|-------------|--|------------------|-----------|------------|
| | | | | | 915 iS A | 915 iSc A | |
| 1 | | 665613 | .1 | DOUBLE IGNITION COIL | 4 | 4 | |
| 2 | | 951497 | .1 | CONNECTOR BRACKET | 1 | 1 | |
| 3 | | 951496 | .1 | CONNECTOR BRACKET | 1 | 1 | |
| 4 | | 251685 | .1 | SPRING HOOK | 2 | 2 | |
| 5 | | 945750 | .1 | LOCK WASHER A5 | 8 | 8 | |
| 6 | | 441341 | .1 | ALLEN SCREW M5x20 | 8 | 8 | |
| 7-14 | | 665558 | .1 | IGNITION CABLE SET | 1a | 1a | |
| 15 | | 265249 | .1 | SPARK PLUG CONNECTOR | 8 | 8 | |
| 16 | | 297656 | .1 | SPARK PLUG | 8 | 8 | |
| 17 | | 866718 | .1 | TIE WRAP 94x2.5 MM | 8 | 8 | |
| 18 | | 866716 | .1 | TIE WRAP 203x7.6 MM | 2 | 2 | |
| 19 | | 860734 | .1 | GLASS FIBER-SILICON SHEATH- ING 120 | 2 | 2 | |
| 20 | | 860736 | .1 | GLASS FIBER-SILICON SHEATH- ING 75 | 2 | 2 | |
| 21 | | 651942 | .1 | PROTECTION SHIELD | 1 | 1 | |

- a** Set for double ignition coil with high tension connector rettich thread included: 8 ignition cable assy., 8 protective cap and 8 glass fiber-silicon sheeting.

BRP-Rotax
ILLUSTRATED PARTS CATALOG

INTENTIONALLY LEFT
BLANK

BRP-Rotax
ILLUSTRATED PARTS CATALOG

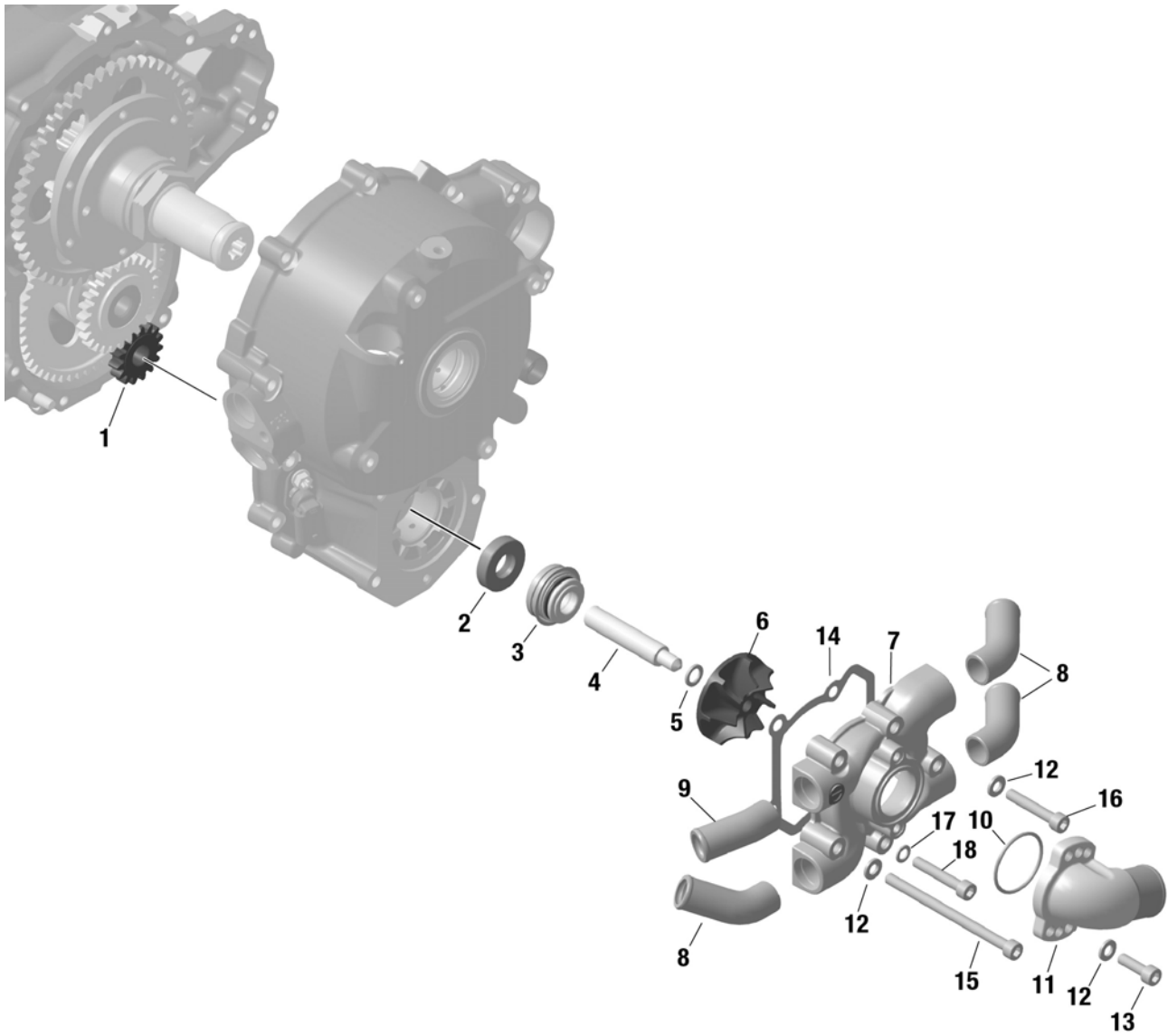
Chapter: 75-20-00
WATER PUMP WITH DRIVE, EXPANSION TANK, COOLING AIR BAFFLE

TOPICS IN THIS CHAPTER

| | |
|---|----------|
| WATER PUMP WITH DRIVE | 2 |
| EXPANSION TANK WITH HOSES AND CONNECTIONS..... | 4 |
| COOLING AIR BAFFLE | 7 |

BRP-Rotax
ILLUSTRATED PARTS CATALOG

WATER PUMP WITH DRIVE



10309

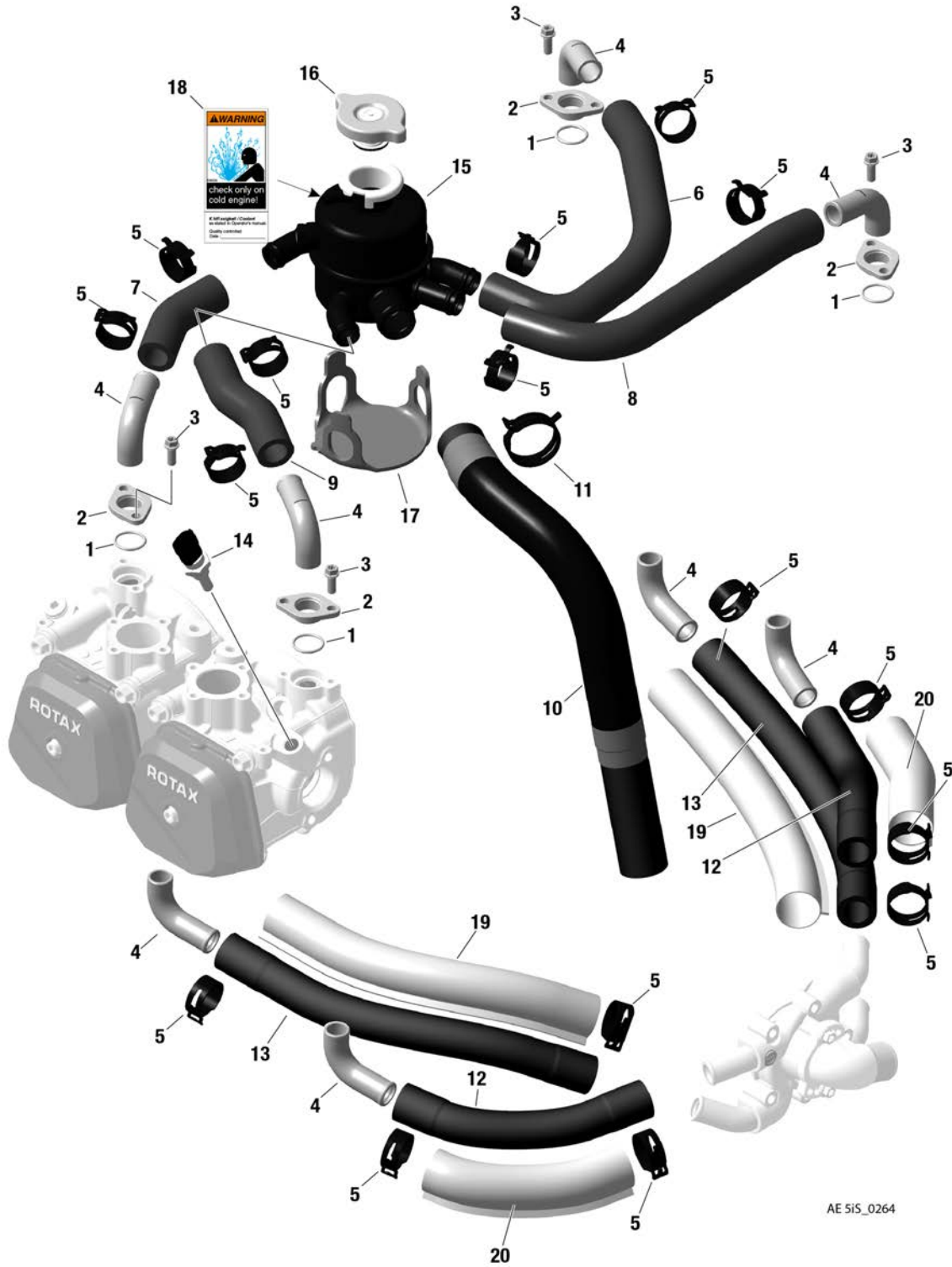
Figure 10.1: 75-20-00

BRP-Rotax
ILLUSTRATED PARTS CATALOG

| Item No. | Sta-tus | Part No. | In- dent | Description | Parts per Engine | | SI-PAC |
|----------|-----------|------------------|-------------|---------------------------------|------------------|-----------|--------|
| | | | | | 915 iS A | 915 iSc A | |
| 1 | | 834135 | .1 | WATER PUMP GEAR 15 T | 1 | 1 | |
| 2 | | 850977 | .1 | OIL SEAL A 12x30x7 FPM | 1 | 1 | |
| 3 | | 850946 | .1 | ROTARY SEAL | 1 | 1 | |
| 4 | | 837111 | .1 | PUMP SHAFT | 1 | 1 | |
| 5 | | 926274 | .1 | WASHER 8.2/12.5/1.5 | 1 | 1 | |
| 6 | | 922224 | .1 | IMPELLER | 1 | 1 | |
| 7 | | 922202 | .1 | WATER PUMP HOUSING | 1 | 1 | |
| 8 | | 922233 | .1 | BENT SOCKET 45 DEGREES | 3 | 3 | |
| 9 | | 922234 | .1 | BENT SOCKET 20 DEGREES | 1 | 1 | |
| 10 | | 230020 | .1 | O-RING 32x2 | 1 | 1 | |
| 11 | | 922218 | .1 | WATER INLET ELBOW | 1 | 1 | |
| 12 | N s.v. | 827962 827961 | .1 | WASHER 6.4 DIN 125 | 6 | 6 | |
| 13 | | 241935 | .1 | ALLEN SCREW M6x20 DIN 912 | 2 | 2 | |
| 14 | | 850981 | .1 | GASKET | 1 | 1 | |
| 15 | | 241481 | .1 | ALLEN SCREW M6X90 | 2 | 2 | |
| 16 | N s.v. | 241814 241811 | .1 | ALLEN SCREW M6x35 ISO 4762-8.8 | 2 | 2 | |
| 17 | | 230415 | .1 | SEALING RING A 6x10 DIN 7603 | 1 | 1 | |
| 18 | | 241813 | .1 | ALLEN SCREW M6x35, STAINLESS | 1 | 1 | |

BRP-Rotax
ILLUSTRATED PARTS CATALOG

EXPANSION TANK WITH HOSES AND CONNECTIONS



AE SIS_0264

Figure 10.2: 75-20-00

75-20-00

Page 4
June 01 2019

Effectivity: 915 i A Series
Rev. 1

BRP-Rotax
ILLUSTRATED PARTS CATALOG

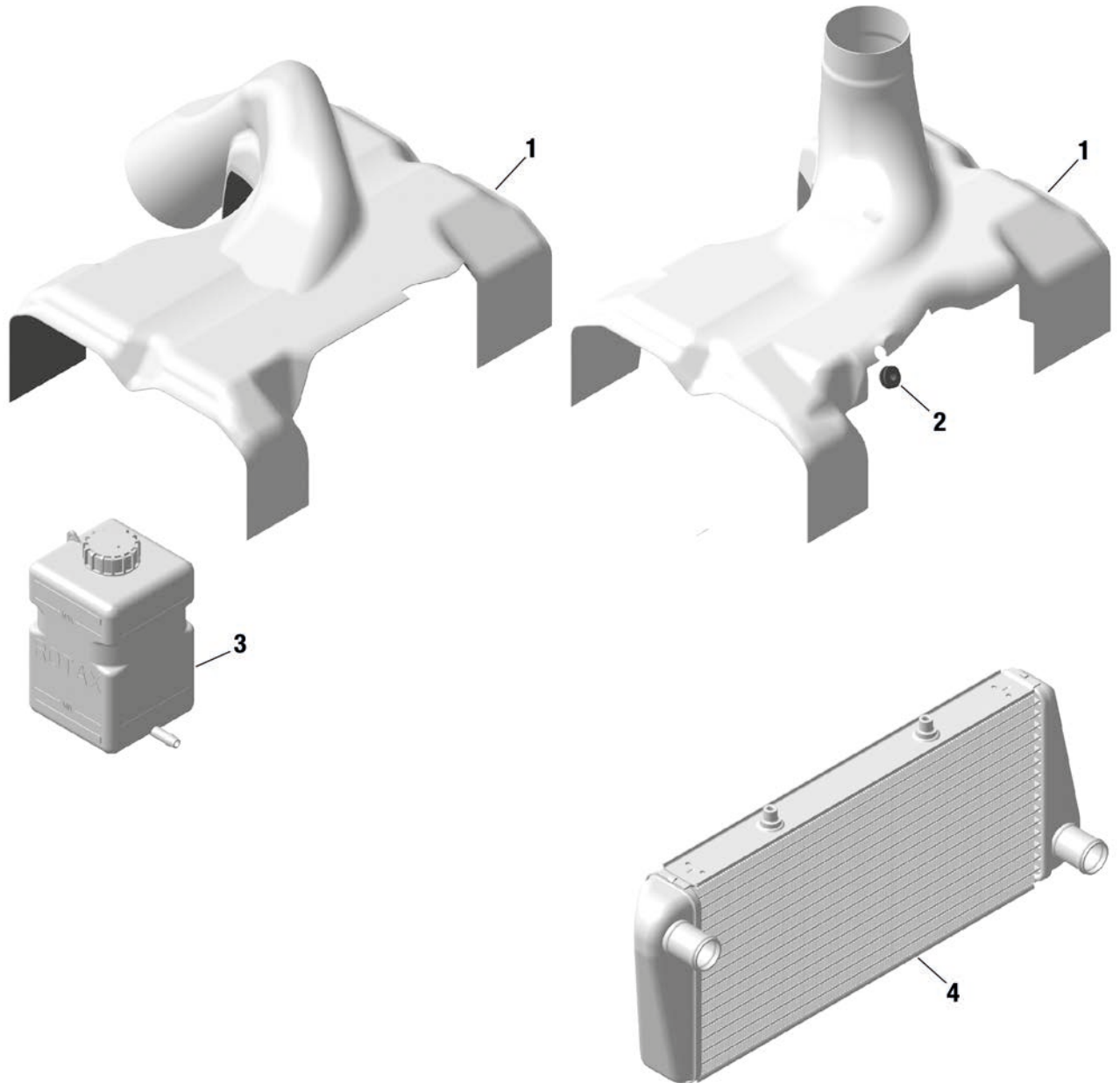
| Item No. | Status | Part No. | In- dent | Description | Parts per Engine | | SI- PAC |
|----------|--------|----------|-------------|--|------------------|-----------|------------|
| | | | | | 915 iS A | 915 iSc A | |
| 1 | | 950180 | .1 | O-RING 19-2 | 4 | 4 | |
| 2 | | 922303 | .1 | FLANGE | 4 | 4 | |
| 3 | | 440162 | .1 | HEX./TORX-FLANGE SCREW M6X16-SW8/T30 | 8 | 8 | |
| 4 | | 922231 | .1 | BENT SOCKET 80 DEGREES | 8 | 8 | |
| 5 | | 851645 | .1 | CLAMP 25 | 16 | 16 | |
| 6 | | 822422 | .1 | FORM HOSE 1 | (1a) | (1a) | |
| 6 | | 822420 | .1 | FORM HOSE 1 | 1b | 1b | |
| 7 | | 822432 | .1 | FORM HOSE 2 | (1a) | (1a) | |
| 7 | | 822430 | .1 | FORM HOSE 2 | 1b | 1b | |
| 8 | | 822442 | .1 | FORM HOSE 3 | (1a) | (1a) | |
| 8 | | 822440 | .1 | FORM HOSE 3 | 1b | 1b | |
| 9 | | 822447 | .1 | FORM HOSE 4 | (1a) | (1a) | |
| 9 | | 822445 | .1 | FORM HOSE 4 | 1b | 1b | |
| 10 | | 822450 | .1 | FORM HOSE | 1b | 1b | |
| 10 | | 822452 | .1 | FORM HOSE | (1a) | (1a) | |
| 11 | | 951350 | .1 | CLAMP 35 | 1 | 1 | |
| 12 | | 922366 | .1 | WATER TUBE 180 +/-3 MM | (2a) | (2a) | |
| 12 | | 922360 | .1 | WATER TUBE 180 +/-3 MM | 2b | 2b | |
| 13 | | 922367 | .1 | WATER TUBE 280 +/-3 MM | (2a) | (2a) | |
| 13 | | 922362 | | WATER TUBE 280 +/-3 MM | 2b | 2b | |
| 14 | | 965537 | .1 | TEMPERATURE SENSOR | 1 | 1 | |
| 15-18 | | 922664 | .1 | EXPANSION TANK ASSY. | 1 | 1 | |
| 16 | | 922072 | ..2 | RADIATOR CAP WITH GASKET 1.2 BAR/17.4 PSI | 1 | 1 | |
| 17 | N | 860828 | ..2 | RUBBER PLATE | 1 | 1 | |
| 18 | | 897506 | ..2 | WARNING LABEL | 2 | 2 | |
| 19 | | 860650 | .1 | PROTECTION TUBE 240 MM | ARc | ARc | |
| 20 | | 860650 | .1 | PROTECTION TUBE 140 MM | ARc | ARc | |

BRP-Rotax
ILLUSTRATED PARTS CATALOG

- a** Silicon
- b** Standard EPDM, change every 5 years
- c** in a roll

BRP-Rotax
ILLUSTRATED PARTS CATALOG

COOLING AIR BAFFLE



AE 5iS_0220a

Figure 10.3: 75-20-00

BRP-Rotax
ILLUSTRATED PARTS CATALOG

| Item No. | Status | Part No. | In- dent | Description | Parts per Engine | | SI- PAC |
|----------|--------|----------|-------------|--|------------------|-----------|------------|
| | | | | | 915 iS A | 915 iSc A | |
| 1 | | 975795 | .1 | COOLING AIR BAFFLE, TRAC- TOR WHITE | (1) | (1) | |
| 1 | | 975799 | .1 | COOLING AIR BAFFLE, TRAC- TOR BLACK | (1) | (1) | |
| 1-2 | | 975792 | .1 | COOLING AIR BAFFLE, PUSHER WHITE NC | (1) | (1) | |
| 1-2 | | 975798 | .1 | COOLING AIR BAFFLE, PUSHER BLACK NC | (1) | (1) | |
| 2 | | 201160 | ..2 | RUBBER GROMMET | (1) | (1) | |
| 3 | | 922327 | .1 | OVERFLOW BOTTLE WITH CAP | 1 | 1 | 009 |
| 4 | | 997086 | .1 | RADIATOR NC | 1 | 1 | 010 |

BRP-Rotax
ILLUSTRATED PARTS CATALOG

Chapter: 76-10-00
ENGINE CONTROL UNIT, FUSE BOX REGULATOR

TOPICS IN THIS CHAPTER

ENGINE CONTROL UNIT, FUSE BOX, REGULATOR2

BRP-Rotax
ILLUSTRATED PARTS CATALOG

ENGINE CONTROL UNIT, FUSE BOX, REGULATOR

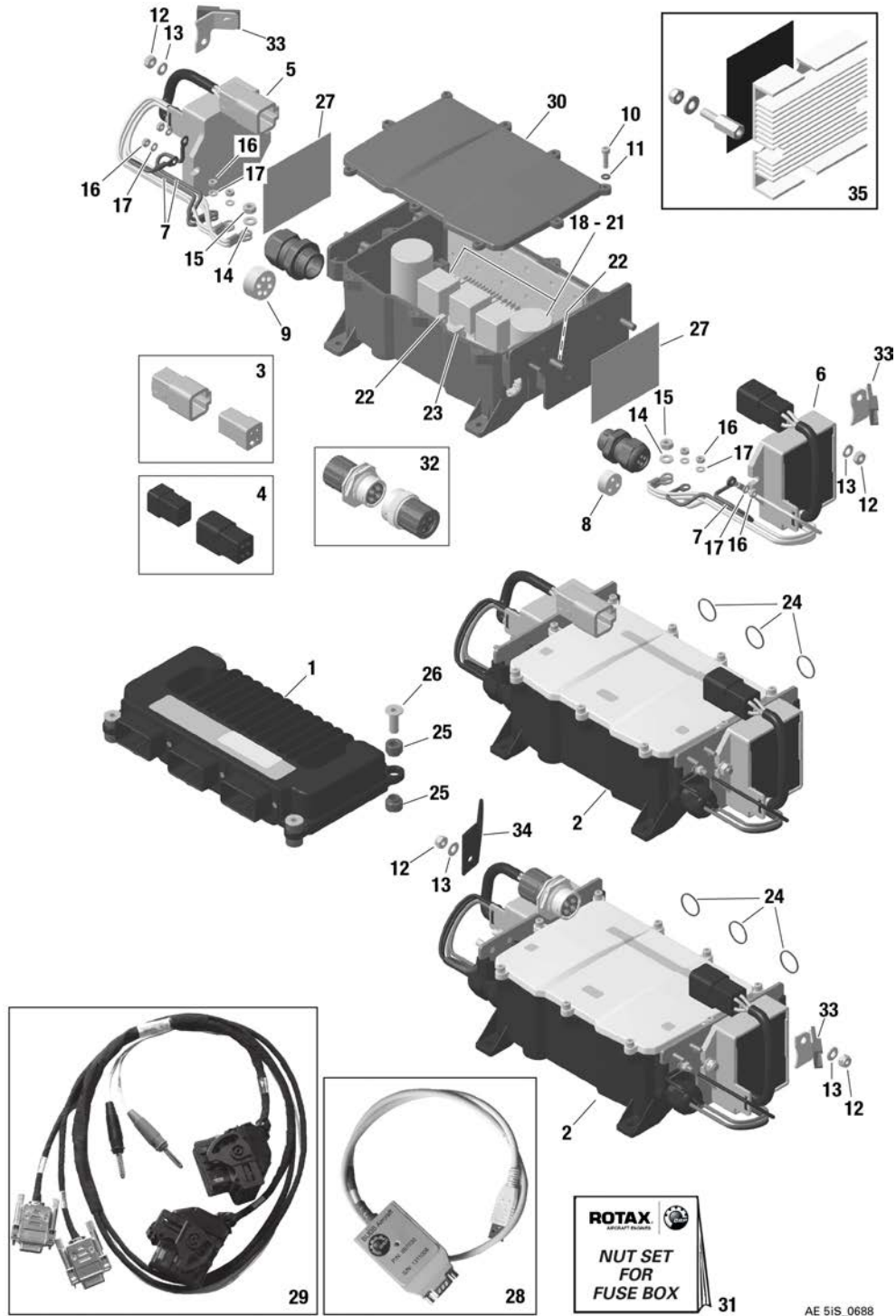


Figure 11.1: 76-10-00

76-10-00

Page 2
June 01 2019

Effectivity: 915 i A Series
Rev. 1

BRP-Rotax
ILLUSTRATED PARTS CATALOG

| Item No. | Sta-tus | Part No. | In-ident | Description | Parts per Engine | | SI-PAC |
|----------|---------|----------|----------|---|------------------|-----------|--------|
| | | | | | 915 iS A | 915 iSc A | |
| 1 | | 881254 | .1 | ENGINE CONTROL UNIT ASSY. (864352 + packaging) | 1 | 1 | |
| 2 | N | 881325 | .1 | FUSE BOX WRAPPED UP (665648 inclusive) | 1b | 1b | |
| 2 | s.v. | 881321 | .1 | FUSE BOX WRAPPED UP (665646 inclusive) | 1 | 1 | |
| 3 | | 866422 | .1 | CONNECTOR SET GREY | 1a | 1a | |
| 4 | | 866420 | .1 | CONNECTOR SET BLACK | 1a | 1a | |
| 5 | | 864395 | .1 | REGULATOR B-CONNECTOR GREY | 1 | 1 | |
| 6 | | 864392 | .1 | REGULATOR A-CONNECTOR BLACK | 1 | 1 | |
| 7 | | 866440 | .1 | MASS CABLE ASSY. | 3 | 3 | |
| 8 | | 201370 | .1 | SKINTOP CLICK 20 GASKET | 1 | 1 | |
| 9 | | 201375 | .1 | SKINTOP CLICK 25 GASKET | 1 | 1 | |
| 10 | | 840763 | .1 | ALLEN SCREW M4x16 ISO 4762- A2-70 | 9 | 9 | |
| 11 | | 827230 | .1 | PLASTIC WASHER M4 | 9 | 9 | |
| 12 | | 842044 | .1 | LOCK NUT M6 | 4 | 4 | |
| 13 | | 244214 | .1 | WASHER 6.4 | 2 | 2 | |
| 14 | | 927573 | .1 | WASHER 5.3 | 2 | 2 | |
| 15 | | 842033 | .1 | LOCK NUT M5 | 2 | 2 | |
| 16 | | 242539 | .1 | LOCK NUT M4-A2 | 7 | 7 | |
| 17 | | 244078 | .1 | WASHER 4.3 | 7 | 7 | |
| 18 | | 866450 | .1 | MINI-FUSE 2A | 2 | 2 | |
| 19 | | 866452 | .1 | MINI-FUSE 5A | 11 | 11 | |
| 20 | | 866454 | .1 | MINI-FUSE 7.5A | 2 | 2 | |
| 21 | | 866456 | .1 | MINI-FUSE 10A | 7 | 7 | |
| 22 | | 866490 | .1 | ATO-FUSE 20A | 1 | 1 | |
| 23 | | 866492 | .1 | ATO-FUSE 35A | 1 | 1 | |
| 24 | | 931110 | .1 | SEALING RING | 3 | 3 | |
| 25 | | 201460 | .1 | RUBBER SLEEVE | 8 | 8 | |
| 26 | | 947540 | .1 | SPACER | 4 | 4 | |

BRP-Rotax
ILLUSTRATED PARTS CATALOG

| Item No. | Sta-tus | Part No. | In-dent | Description | Parts per Engine | | SI-PAC |
|----------|---------|----------|---------|--|------------------|-----------|--------|
| | | | | | 915 iS A | 915 iSc A | |
| 27 | | 282870 | .1 | HEAT TRANSFER PAD 65x80x0.5 MM | 2 | 2 | |
| 28 | | xxx | .1 | B.U.D.S. SET LEVEL 1 for pilots/user, see chapter 00-00-00 NC | 1 | 1 | |
| 28 | | xxx | .1 | B.U.D.S. SET LEVEL 2 for maintenance personnel, see chapter 00-00-00 NC | 1 | 1 | |
| 28 | | xxx | .1 | B.U.D.S. SET LEVEL 3 for distributors/OEM, see chapter 00-00-00 NC | 1 | 1 | |
| 29 | | xxx | .1 | SERVICE WIRING HARNESS ASSY. see chapter 00-00-00 NC | 1 | 1 | |
| 30 | | 201690 | .1 | COVER, FUSE BOX | 1 | 1 | |
| 31 | | 881555 | .1 | NUT SET FUSE BOX | 1 | 1 | |
| | | 242539 | ..2 | LOCK NUT M4 | 6 | 6 | |
| | | 244078 | ..2 | WASHER 4.3 | 6 | 6 | |
| | | 842044 | ..2 | LOCK NUT M6 | 3 | 3 | |
| | | 244214 | ..2 | WASHER 6.2/14/3 | 3 | 3 | |
| | | 931110 | ..2 | SEALING RING | 3 | 3 | |
| 32 | | 481510 | .1 | CONNECTOR SET (STATOR LANE B) | 1ab | 1ab | |
| 33 | | 951983 | .1 | CONNECTOR BRACKET ASSY. NC | 2 | 2 | 011 |

BRP-Rotax
ILLUSTRATED PARTS CATALOG

| Item No. | Sta-tus | Part No. | In-ident | Description | Parts per Engine | | SI-PAC |
|----------|---------|----------|----------|---|------------------|-----------|--------|
| | | | | | 915 iS A | 915 iSc A | |
| 34 | | 951981 | .1 | CONNECTOR BRACKET ASSY. (STATOR LANE B) NC | 1d | 1d | 011 |
| 35 | | 481490 | .1 | HEAT SINK SET NC | (1c) | (1c) | 019 |

- a** Connector set consisting of all parts for regulator and stator side.
- b** consists of all parts for regulator stator side, Amphenol connector
- c** for regulator B, better cooling
- d** for Amphenol connector

BRP-Rotax
ILLUSTRATED PARTS CATALOG

INTENTIONALLY LEFT
BLANK

BRP-Rotax
ILLUSTRATED PARTS CATALOG

Chapter: 76-50-00
WIRING HARNESS

TOPICS IN THIS CHAPTER

WIRING HARNESS.....2

BRP-Rotax
ILLUSTRATED PARTS CATALOG

WIRING HARNESS

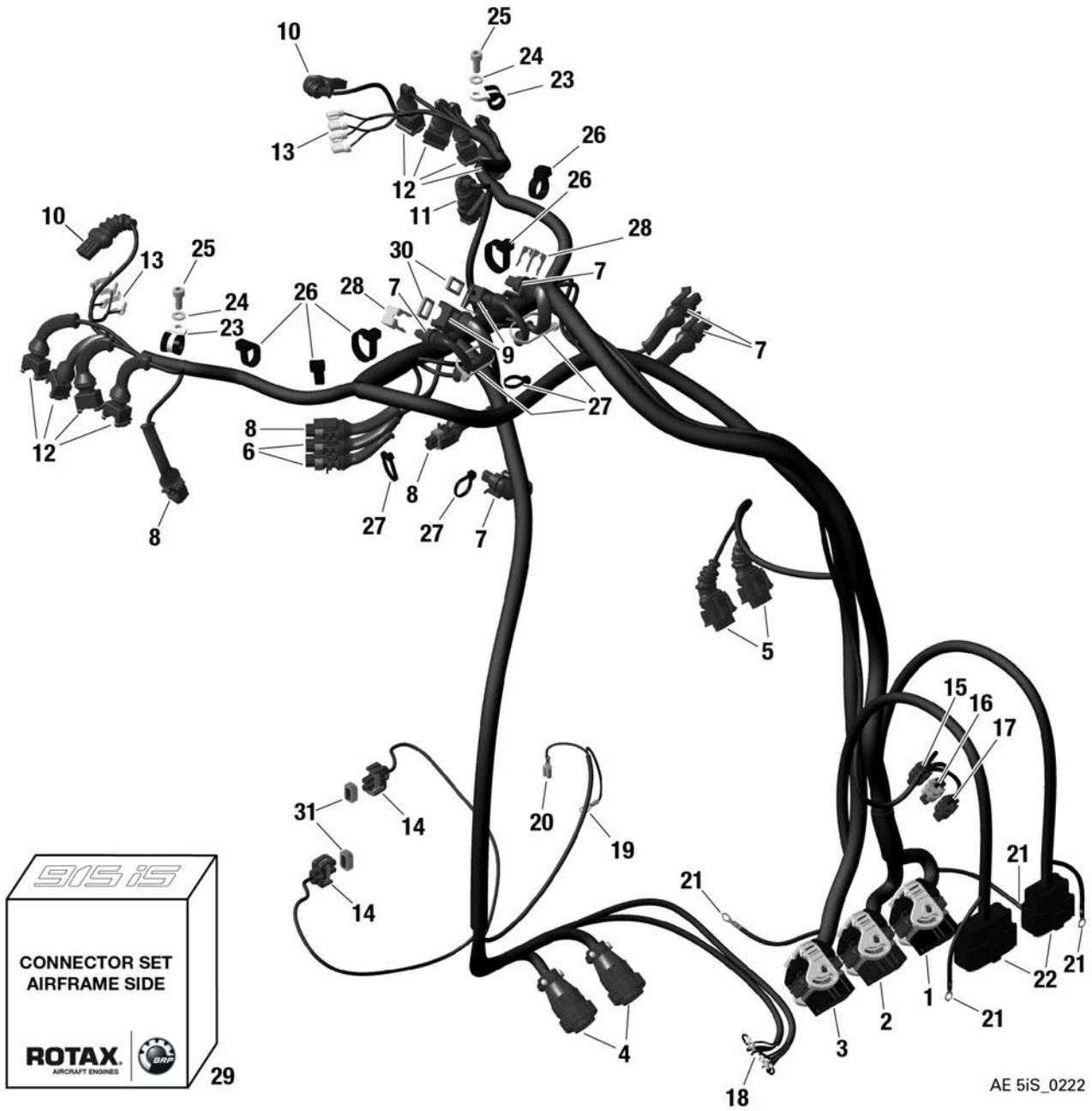


Figure 12.1: 76-50-00

76-50-00

Page 2
June 01 2019

Effectivity: 915 i A Series
Rev. 1

BRP-Rotax
ILLUSTRATED PARTS CATALOG

| Item No. | Sta-tus | Part No. | In-ident | Description | Parts per Engine | | SI-PAC |
|----------|-----------|------------------|----------|-----------------------------|------------------|-----------|--------|
| | | | | | 915 iS A | 915 iSc A | |
| 1-21 | | 665586 | .1 | WIRING HARNESS PACKAGED | 1c | 1c | |
| 1 | n.a. | | ..2 | ECU LANE A1 CONNECTOR | 1 | 1 | |
| 2 | n.a. | | ..2 | ECU LANE A2 CONNECTOR | 1 | 1 | |
| 3 | n.a. | | ..2 | ECU LANE B CONNECTOR | 1 | 1 | |
| 4 | | 881312 | ..2 | FUSE BOX CONNECTOR | 2 | 2 | |
| 5 | | 881306 | ..2 | AAPTS CONNECTOR | 2 | 2 | |
| 6 | | 881298 | ..2 | CPS CONNECTOR | 2 | 2 | |
| 7 | | 881302 | ..2 | CONNECTOR SET OPS, AND MAPS | 5a | 5a | |
| 8 | | 881296 | ..2 | CTS A OTS A KNOCK CONNECTOR | 3 | 3 | |
| 9 | | 881292 | ..2 | MATS CONNECTOR | 2 | 2 | |
| 10 | | 481455 | ..2 | EGT CONNECTOR | 2 | 2 | |
| 11 | | 881308 | ..2 | TPS CONNECTOR | 1 | 1 | |
| 12 | | 881300 | ..2 | INJ CONNECTOR | 8 | 8 | |
| 13 | | 881310 | ..2 | IGNITION COIL CONNECTOR | 1 | 1 | |
| 14 | | 881304 | ..2 | FUEL PUMP CONNECTOR | 2 | 2 | |
| 15 | | 481452 | ..2 | CONNECTOR PCV A | 1 | 1 | |
| 16 | | 481453 | ..2 | CONNECTOR PCV B | 1 | 1 | |
| 17 | | 481454 | ..2 | CONNECTOR PCV C | 1 | 1 | |
| 18 | | 965701 | ..2 | CABLE SHOE M4 | 9 | 9 | |
| 19 | | 964059 | ..2 | CABLE SHOE M6 | 1 | 1 | |
| 20 | | 864011 | ..2 | FASTON CONNECTOR 6.3x0.8 | 1 | 1 | |
| 21 | | 966057 | ..2 | RING TERMINAL | 4 | 4 | |
| 22 | | 881294 | .1 | CONNECTOR SET HIC A + HIC B | 1 | 1 | |
| 23 | | 251691 | .1 | CABLE CLAMP 12/M6 | 2 | 2 | |
| 24 | N s.v. | 827962 827961 | .1 | WASHER 6.4 | 2 | 2 | |
| 25 | N s.v. | 840392 840391 | .1 | ALLEN SCREW M6x14 | 2 | 2 | |
| 26 | | 866716 | .1 | TIE WRAP 203x7.6 MM | 5 | 5 | |
| 27 | | 866714 | .1 | TIE WRAP 142x3.2 MM | 5 | 5 | |

BRP-Rotax
ILLUSTRATED PARTS CATALOG

| Item No. | Sta-tus | Part No. | In-ident | Description | Parts per Engine | | SI-PAC |
|----------|---------|----------|----------|--------------------------------|------------------|-----------|--------|
| | | | | | 915 iS A | 915 iSc A | |
| 28 | | 638140 | .1 | CLAMP | 2 | 2 | |
| 29 | | 881240 | .1 | CONNECTOR SET HIC NC | 1b | 1b | 012 |
| 30 | | 850610 | .1 | CONNECTOR GASKET | 2d | 2d | |
| 31 | | 850620 | .1 | CONNECTOR GASKET | 2e | 2e | |

- a** 2x for BPS inclusive
- b** HIC A, HIC B and FUSE BOX 3-pole
- c** with rubber seals for fuel pump connector
- d** for MATS connector
- e** for fuel pump connector

BRP-Rotax
ILLUSTRATED PARTS CATALOG

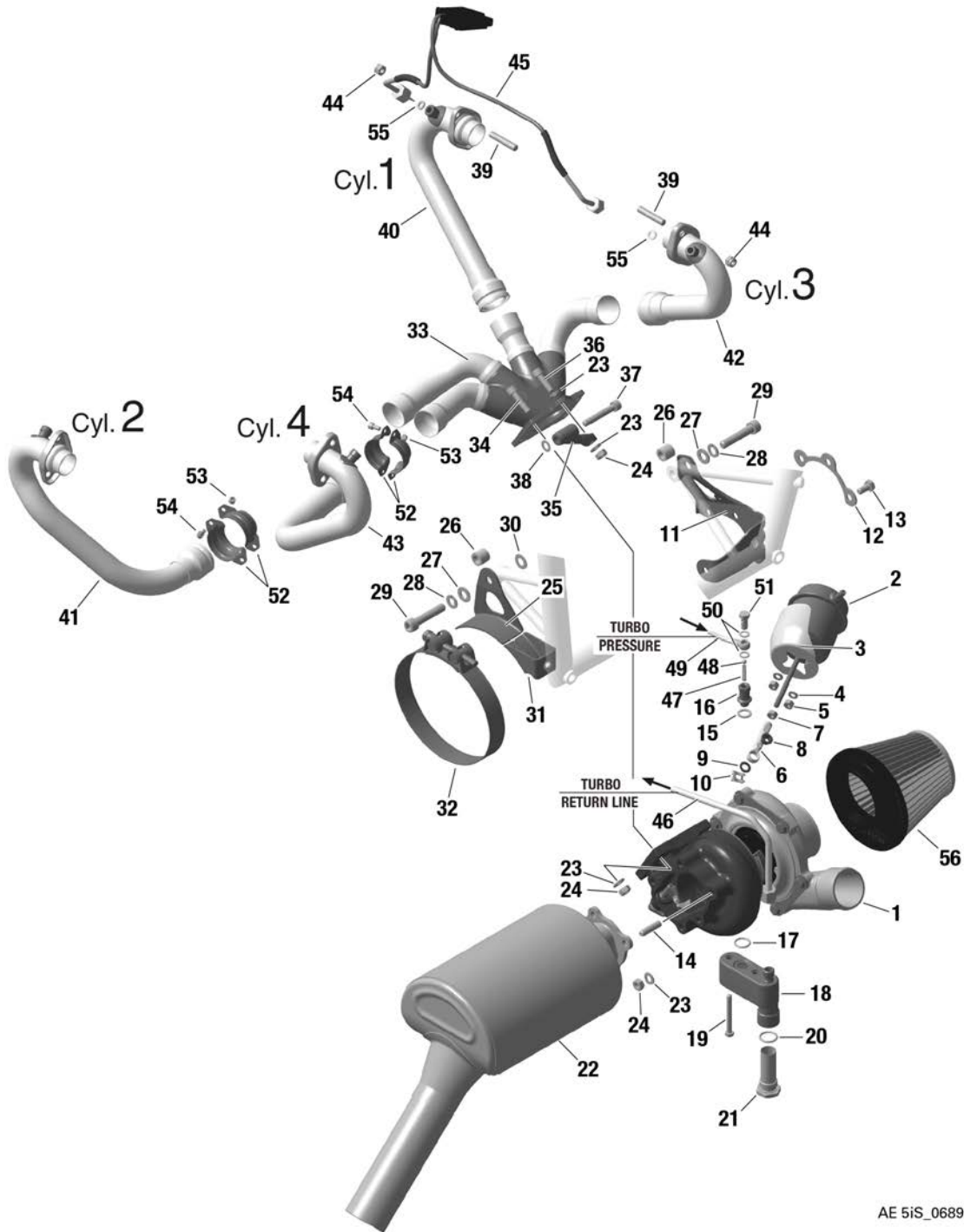
Chapter: 78-10-00
EXHAUST SYSTEM, EXHAUST TEMPERATURE SENSOR

TOPICS IN THIS CHAPTER

EXHAUST SYSTEM, EXHAUST TEMPERATURE SENSOR2

BRP-Rotax
ILLUSTRATED PARTS CATALOG

EXHAUST SYSTEM, EXHAUST TEMPERATURE SENSOR



AE 5iS_0689

Figure 13.1: 78-10-00

78-10-00

Page 2
June 01 2019

Effectivity: 915 i A Series
Rev. 1

BRP-Rotax
ILLUSTRATED PARTS CATALOG

| Item No. | Sta-tus | Part No. | In-dent | Description | Parts per Engine | | SI-PAC |
|----------|---------|----------|---------|---|------------------|-----------|--------|
| | | | | | 915 iS A | 915 iSc A | |
| 1 | | 893106 | .1 | TURBOCHARGER ASSY. | 1 | 1 | |
| 2 | | 667840 | ..2 | WASTEGATE ACTUATOR | 1 | 1 | |
| 3 | | 975160 | ..2 | HEAT SHIELD | 1 | 1 | |
| 4 | | XXXXXX | ..2 | LOCK WASHER | 2 | 2 | |
| 5 | | 842435 | ..2 | HEX. NUT 1/4-28 UNF | 2 | 2 | |
| 6 | | 971840 | ..2 | ROD END | 1 | 1 | |
| 7 | | 942245 | ..2 | LOCK NUT 1/4-28 UNF | 1 | 1 | |
| 8 | | 933681 | ..2 | BUSHING | 1 | 1 | |
| 9 | | 944950 | ..2 | WASHER 8.3/14.3/0.91 | 1 | 1 | |
| 10 | | 845820 | ..2 | RETAINER CLIP | 1 | 1 | |
| 11 | | 851296 | .1 | TURBOCHARGER BRACKET | 1 | 1 | |
| 12 | | 851305 | .1 | REINFORCEMENT SHEET | 1 | 1 | |
| 13 | | 940583 | .1 | HEX. SCREW M8x16 STAINLESS STEEL | 3 | 3 | |
| 14 | | 940173 | .1 | STUD M8x19.5/13 | 5 | 5 | |
| 15 | | 250640 | .1 | SEALING RING A 12x18-CU | 1 | 1 | |
| 16 | | 956489 | .1 | VALVE HOUSING | 1 | 1 | |
| 17 | | 430225 | .1 | O-RING 15.9-2.3 | 1 | 1 | |
| 18 | | 656770 | .1 | OIL SUMP ASSY. | 1 | 1 | |
| 19 | | 640601 | .1 | ALLEN SCREW M6x50 | 2 | 2 | |
| 20 | | 250055 | .1 | O-RING 18x2.5-N, FPM 75 | 1 | 1 | |
| 21 | | 640860 | .1 | PLUG SCREW ASSY. M22x1.5 | 1 | 1 | |
| 22 | | 979475 | .1 | MUFFLER ASSY. | 1 | 1 | |
| 23 | | 250313 | .1 | WASHER 8.4 STAINLESS STEEL | 11 | 11 | |
| 24 | | 242203 | .1 | HEX. NUT M8 STAINLESS STEEL | 9 | 9 | |
| 25 | | 851680 | .1 | EXHAUST BRACKET | 1 | 1 | |
| 26 | | xxx | .1 | SPACER 10.5/17/15 see chap. 71-20-00 | 2 | 2 | |
| 27 | | xxx | .1 | WASHER 10.5 see chap. 71-20-00 | 2 | 2 | |
| 28 | | xxx | .1 | LOCK WASHER A10 see chap. 71-20-00 | 2 | 2 | |

BRP-Rotax
ILLUSTRATED PARTS CATALOG

| Item No. | Sta-tus | Part No. | In-dent | Description | Parts per Engine | | SI-PAC |
|----------|-----------|------------------|---------|---|------------------|-----------|--------|
| | | | | | 915 iS A | 915 iSc A | |
| 29 | | xxx | .1 | ALLEN SCREW M10x50 see chap. 71-20-00 | 2 | 2 | |
| 30 | | xxx | .1 | THRUST WASHER 10.1/20/1.0 see chap. 71-20-00 | AR | AR | |
| 31 | | 851685 | .1 | EXHAUST BRACKET | 1 | 1 | |
| 32 | | 851445 | .1 | CLAMP 74-79 | 1 | 1 | |
| 33 | | 979562 | .1 | EXHAUST MANIFOLD ASSY. | 1 | 1 | |
| 34 | | 840993 | .1 | ALLEN SCREW M8x30 | 4 | 4 | |
| 35 | | 953306 | .1 | MANIFOLD BRACKET ASSY. | 1 | 1 | |
| 36 | | 240073 | .1 | ALLEN SCREW M8x20 | 1 | 1 | |
| 37 | N s.v. | 940072 940071 | .1 | ALLEN SCREW M8x50 | 1 | 1 | |
| 38 | | 926400 | .1 | WASHER 8.4/15/0.5 | AR | AR | |
| 38 | | 926401 | .1 | WASHER 8.4/15/1 | AR | AR | |
| 38 | | 926402 | .1 | WASHER 8.4/15/1.5 | AR | AR | |
| 39 | | 940368 | .1 | STUD M8x23/20 | 8 | 8 | |
| 40 | | 979502 | .1 | EXHAUST PIPE ASSY. CYL. 1 | 1 | 1 | |
| 41 | | 979512 | .1 | EXHAUST PIPE ASSY. CYL. 2 | 1 | 1 | |
| 42 | | 979522 | .1 | EXHAUST PIPE ASSY. CYL. 3 | 1 | 1 | |
| 43 | | 979533 | .1 | EXHAUST PIPE ASSY. CYL. 4 | 1 | 1 | |
| 44 | | 842950 | .1 | LOCK NUT M8-SW12 | 8 | 8 | |
| 45 | | 866262 | .1 | TEMPERATURE SENSOR | 2 | 2 | |
| 46 | | xxx | .1 | TURBO OIL SUCTION LINE see chap. 79-20-00 | 1 | 1 | |
| 47 | | 239131 | .1 | COMPRESSION SPRING 22.0 | 1 | 1 | |
| 48 | | 232440 | .1 | BALL 5.556 MM | 1 | 1 | |
| 49 | | xxx | .1 | TURBO PRESSURE OIL LINE see chap. 79-20-00 | 1 | 1 | |
| 50 | | 950141 | .1 | SEALING RING A 8x13 | 2 | 2 | |
| 51 | | 840730 | .1 | BANJO BOLT M8x1x17 | 1 | 1 | |
| 52 | | 979570 | .1 | EXHAUST PIPE CLAMP (Cyl. 2 and 4) | 4 | 4 | |

BRP-Rotax
ILLUSTRATED PARTS CATALOG

| Item No. | Sta-tus | Part No. | In-dent | Description | Parts per Engine | | SI-PAC |
|----------|---------|----------|---------|---|------------------|-----------|--------|
| | | | | | 915 iS A | 915 iSc A | |
| 53 | | 901442 | .1 | HEX. NUT ISO 7042 - M5 - A2 (Cyl. 2 and 4) | 4 | 4 | |
| 54 | | 240153 | .1 | ALLEN SCREW M5X10 ISO 4762-A2-70 (Cyl. 2 and 4) | 4 | 4 | |
| 55 | | 244214 | .1 | WASHER 6.4 | 4 | 4 | |
| 56 | | xxx | .1 | AIRFILTER see chapter 73-10-00 NC | 1 | | 006 |

BRP-Rotax
ILLUSTRATED PARTS CATALOG

INTENTIONALLY LEFT
BLANK

BRP-Rotax
ILLUSTRATED PARTS CATALOG

Chapter: 79-20-00
OIL TANK, OIL PUMP ASSY., OIL FILTER, OIL TEMPERATURE SENSOR,
OIL PRESSURE SENSOR, OIL SPRAY NOZZLE ASSY.

TOPICS IN THIS CHAPTER

| | |
|--|-----------|
| OIL TANK | 2 |
| OIL PUMP ASSY., OIL FILTER, OIL TEMPERATURE SENSOR, OIL PRESSURE SENSOR | 5 |
| OIL TEMPERATURE SENSOR, OIL PRESSURE SENSOR, OIL SPRAY NOZZLE ASSY. | 8 |
| OIL RADIATOR | 10 |

BRP-Rotax
ILLUSTRATED PARTS CATALOG

OIL TANK

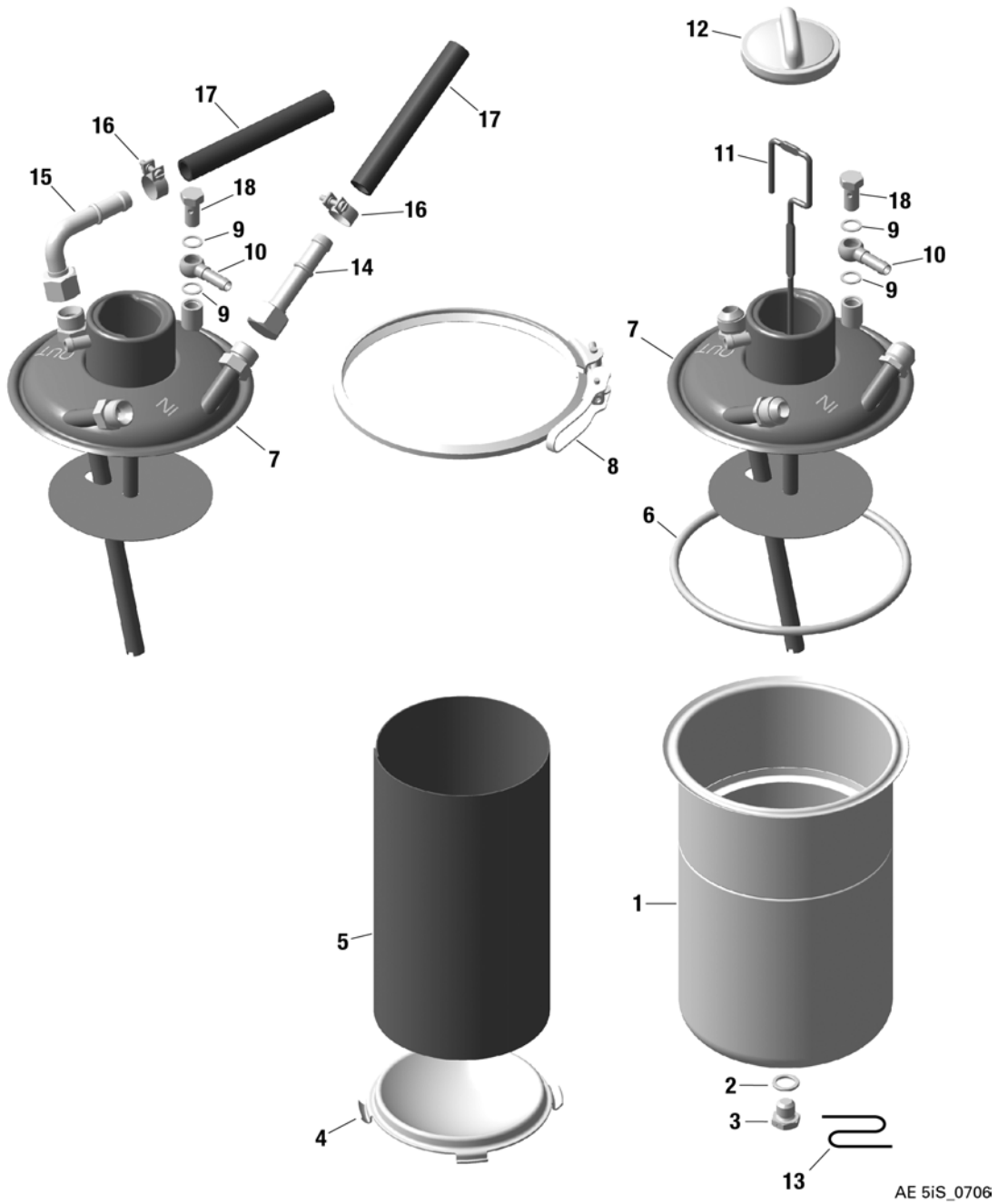


Figure 14.1: 79-20-00

BRP-Rotax
ILLUSTRATED PARTS CATALOG

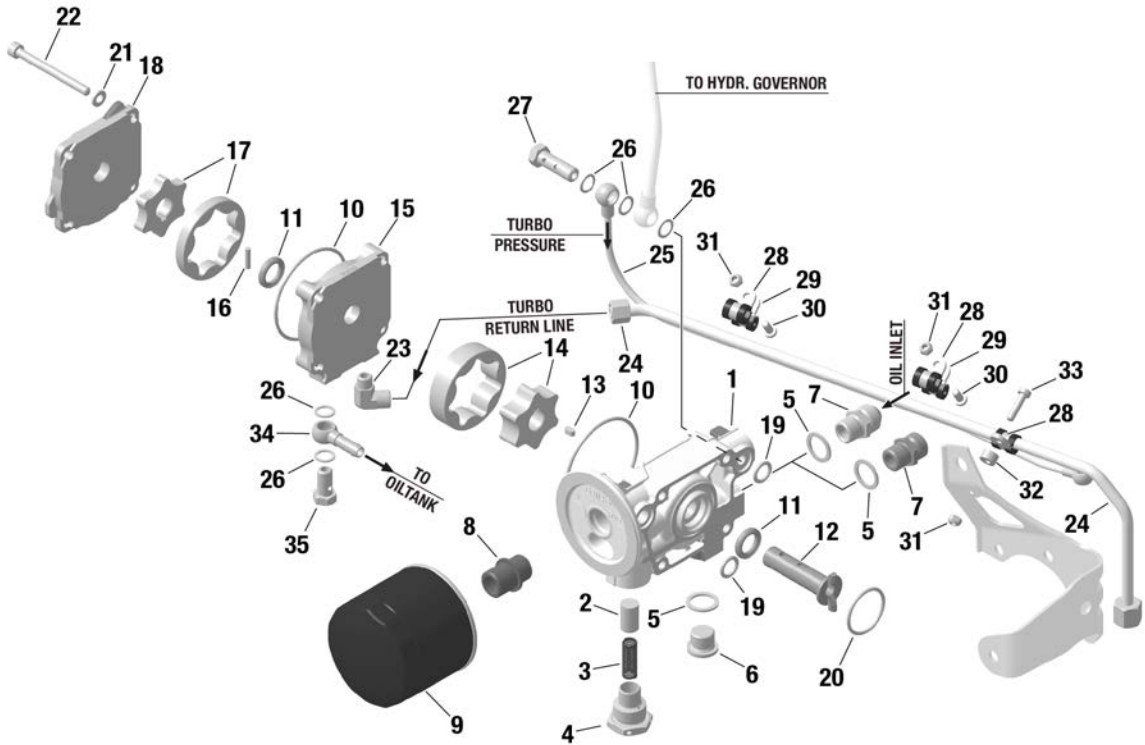
| Item No. | Sta-tus | Part No. | In-dent | Description | Parts per Engine | | SI-PAC |
|----------|---------|----------|---------|---|------------------|-----------|--------|
| | | | | | 915 iS A | 915 iSc A | |
| 1-12 | | 656854 | .1 | OIL TANK ASSY UNF BIG | (1) | (1) | |
| 1-12 | | 656852 | .1 | OIL TANK ASSY. UNF standard | (1) | (1) | |
| 1-12 | | 656880 | .1 | OIL TANK ASSY. METRIC standard | 1 | 1 | |
| 1 | | 956426 | ..2 | OIL TANK standard | (1) | (1) | |
| 1 | | 956427 | ..2 | OIL TANK BIG NC | 1 | 1 | 018 |
| 2 | | 250010 | ..2 | GASKET RING C 12x18 | 1 | 1 | |
| 3 | | 241408 | ..2 | HEX. SCREW M12x12 | 1 | 1 | |
| 4 | | 656861 | ..2 | PARTITION 2 | 1 | 1 | |
| 5 | | 956204 | ..2 | BAFFLE INSERT standard | 1 | 1 | |
| 5 | | 956205 | ..2 | BAFFLE INSERT BIG | 1 | 1 | |
| 6 | | 850491 | ..2 | O-RING 145x6-N, HNBR 70 | 1 | 1 | |
| 7 | n.a. | 656882 | ..2 | OIL TANK COVER ASSY. UNF standard | (1) | (1) | |
| 7 | n.a. | 656887 | ..2 | OIL TANK COVER ASSY. METRIC standard | (1) | (1) | |
| 7 | n.a. | 656858 | ..2 | OIL TANK COVER ASSY. UNF BIG | (1) | (1) | |
| 8 | | 951817 | ..2 | PROFILE CLAMP 163 | 1 | 1 | |
| 9 | | 230150 | ..2 | SEALING RING A 10x14 | 2 | 2 | 018 |
| 10 | | 956314 | ..2 | HOSE NIPPLE 4/6 DIN7642 | 1 | 1 | 018 |
| 11 | | 956154 | ..2 | OIL DIPSTICK | 1 | 1 | |
| 12 | | 974647 | .1 | OIL TANK COVER, WITHOUT VENTING standard tank | (1) | (1) | |
| 12 | | 974650 | ..2 | OIL TANK COVER, WITHOUT VENTING BIG tank | (1) | (1) | |
| 13 | | 297555 | .1 | SAFETY WIRE 0.8 | 1 | 1 | |
| 14 | | 956610 | .1 | HOSE NIPPLE WITH UNION NUT NC | AR | AR | 013 |
| 15 | | 956580 | .1 | BENT SOCKET NC | AR | AR | 013 |
| 16 | | 853725 | .1 | CLAMP SP 17/9 | AR | AR | 013 |

BRP-Rotax
ILLUSTRATED PARTS CATALOG

| Item No. | Status | Part No. | In- dent | Description | Parts per Engine | | SI- PAC |
|----------|--------|----------|-------------|----------------------------|------------------|-----------|------------|
| | | | | | 915 iS A | 915 iSc A | |
| | | | | NC | | | |
| 17 | | 956394 | .1 | OIL TUBE OLNS NC | AR | AR | 013 |
| 18 | | 940876 | .1 | BANJO BOLT M10X1X23 | 1 | 1 | 018 |

BRP-Rotax
ILLUSTRATED PARTS CATALOG

**OIL PUMP ASSY., OIL FILTER, OIL TEMPERATURE SENSOR, OIL
PRESSURE SENSOR**



AE 5iS_0225

Figure 14.2: 79-20-00

BRP-Rotax
ILLUSTRATED PARTS CATALOG

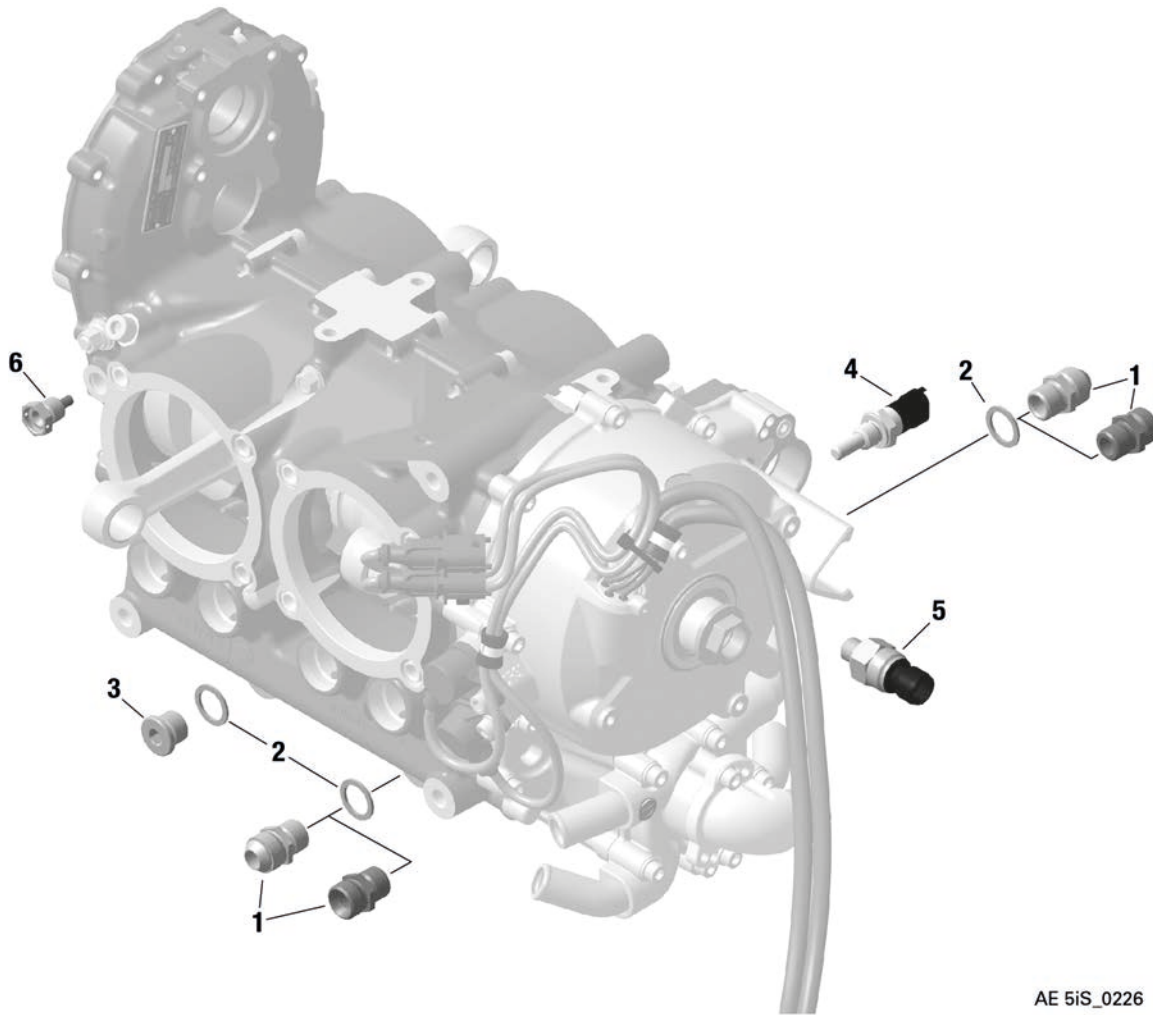
| Item No. | Sta-tus | Part No. | In-dent | Description | Parts per Engine | | SI-PAC |
|----------|-----------|------------------|---------|---|------------------|-----------|--------|
| | | | | | 915 iS A | 915 iSc A | |
| 1 | N s.v. | 811461 811460 | .1 | OIL PUMP HOUSING | 1 | 1 | |
| 2 | | 856330 | .1 | REGULATING PISTON | 1 | 1 | |
| 3 | | 838125 | .1 | COMPRESSION SPRING DM 8.85 D1.25 L52 | 1 | 1 | |
| 4 | | 640850 | .1 | PLUG SCREW M22x1.5 | 1 | 1 | |
| 5 | | 430622 | .1 | SEALING RING A 16x22 | 2 | 2 | |
| 6 | | 240234 | .1 | PLUG SCREW A M16x1.5 | 1 | 1 | |
| 7 | | 956652 | .1 | ADAPTER 3/4-16 UNF/ M16x1.5 | (3) | (3) | |
| 7 | | 956655 | .1 | ADAPTER M18x1.5 / M16x1.5 | 1 | 1 | |
| 8 | | 924430 | .1 | OIL FILTER NIPPLE | 1 | 1 | |
| 9 | | 825016 | .1 | OIL FILTER | 1 | 1 | |
| 10 | | 830372 | .1 | O-RING 63-2.5 | 2 | 2 | |
| 11 | | 430102 | .1 | OIL SEAL A 14x22x4 FPM | 2 | 2 | |
| 12 | | 837295 | .1 | OIL PUMP SHAFT | 1 | 1 | |
| 13 | | 246580 | .1 | KEY A 4x4x8 | 1 | 1 | |
| 14 | | 888821 | .1 | PRESSURE INNER AND OUTER ROTOR | 1 | 1 | |
| 15 | | 812193 | .1 | OIL PUMP HOUSING | 1 | 1 | |
| 16 | | 232731 | .1 | NEEDLE PIN 4x15.8 G3 | 1 | 1 | |
| 17 | | 656850 | .1 | ROTOR SET | 1 | 1 | |
| 18 | | 911713 | .1 | OIL PUMP COVER | 1 | 1 | |
| 19 | | 250460 | .1 | O-RING 11-2.7 | 2 | 2 | |
| 20 | | 950410 | .1 | O-RING 30x2.5 | 1 | 1 | |
| 21 | N s.v. | 827962 827961 | .1 | WASHER 6.4 | 4 | 4 | |
| 22 | N s.v. | 241263 241261 | .1 | ALLEN SCREW M6x65 | 4 | 4 | |
| 23 | | 824020 | .1 | MALE STUD ELBOW M10x1 | 1 | 1 | |
| 24 | | 656760 | .1 | TURBO OIL SUCTION LINE | 1 | 1 | |
| 25 | | 656765 | .1 | TURBO PRESSURE OIL LINE | 1 | 1 | |
| 26 | | 230150 | .1 | SEALING RING A 10x14 | 5 | 5 | |

BRP-Rotax
ILLUSTRATED PARTS CATALOG

| Item No. | Sta-tus | Part No. | In-dent | Description | Parts per Engine | | SI-PAC |
|----------|---------|----------|---------|---------------------|------------------|-----------|--------|
| | | | | | 915 iS A | 915 iSc A | |
| 27 | | 940873 | .1 | BANJO BOLT M10x1x30 | 1 | 1 | |
| 28 | | 851111 | .1 | CABLE CLAMP 8/M5 | 3 | 3 | |
| 29 | | 851116 | .1 | CABLE CLAMP 5/M5 | 2 | 2 | |
| 30 | | 241841 | .1 | ALLEN SCREW M5x12 | 2 | 2 | |
| 31 | | 942021 | .1 | LOCK NUT M5 | 3 | 3 | |
| 32 | | 847664 | .1 | SPACER 5.2/11/6.0 | 1 | 1 | |
| 33 | | 941540 | .1 | ALLEN SCREW M5x20 | 1 | 1 | |
| 34 | | 956314 | .1 | HOSE NIPPLE 4/6 | 1 | 1 | |
| 35 | | 940874 | .1 | BANJO BOLT M10x1x19 | 1 | 1 | |

BRP-Rotax
ILLUSTRATED PARTS CATALOG

OIL TEMPERATURE SENSOR, OIL PRESSURE SENSOR, OIL SPRAY
NOZZLE ASSY.



AE 5iS_0226

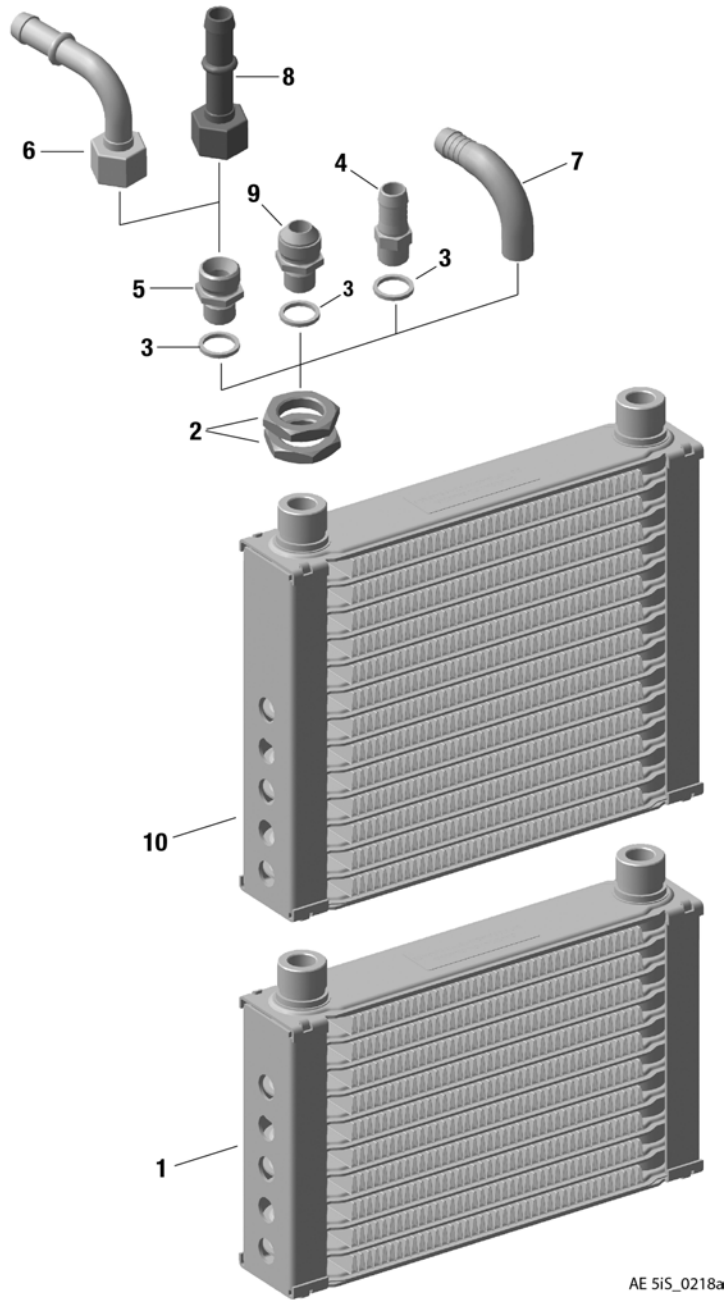
Figure 14.3: 79-20-00

BRP-Rotax
ILLUSTRATED PARTS CATALOG

| Item No. | Sta-tus | Part No. | In-dent | Description | Parts per Engine | | SI-PAC |
|----------|-----------|------------------|---------|-----------------------------|------------------|-----------|--------|
| | | | | | 915 iS A | 915 iSc A | |
| 1 | N s.v. | 956652 956651 | .1 | ADAPTER 3/4-16 UNF/ M16x1.5 | (2) | (2) | |
| 1 | | 956655 | .1 | ADAPTER M18x1.5 / M16x1.5 | 2 | 2 | |
| 2 | | 430622 | .1 | SEALING RING A 16x22 | 3 | 3 | |
| 3 | | 240234 | .1 | PLUG SCREW A M16x1.5 | 2 | 1 | |
| 4 | | 965537 | .1 | TEMPERATURE SENSOR | 1 | 1 | |
| 5 | | 664365 | .1 | PRESSURE SENSOR 10 | 1 | 1 | |
| 6 | | 241785 | .1 | MAGNETIC DRAIN PLUG M12x1.5 | 1 | 1 | |

BRP-Rotax
ILLUSTRATED PARTS CATALOG

OIL RADIATOR



AE 5iS_0218a

Figure 14.4: 79-20-00

BRP-Rotax
ILLUSTRATED PARTS CATALOG

| Item No. | Sta-tus | Part No. | In-ident | Description | Parts per Engine | | SI-PAC |
|----------|---------|----------|----------|-------------------------------------|------------------|-----------|--------|
| | | | | | 915 iS A | 915 iSc A | |
| 1,2,3,9 | | 886036 | .1 | OIL RADIATOR SET UNF NC | (1) | (1) | 014 |
| 2,3,9,10 | | 886037 | .1 | OIL RADIATOR SET UNF NC | (1) | (1) | 014 |
| 1,2,3,4 | | 886034 | .1 | OIL RADIATOR SET METRIC NC | (1) | (1) | 014 |
| 2,3,4,10 | | 886035 | .1 | OIL RADIATOR SET METRIC NC | (1) | (1) | 014 |
| 1 | | 886004 | .1 | OIL RADIATOR NC | (1a) | (1a) | 014 |
| 2 | | 242873 | .1 | HEX. NUT M22x1.5 NC | (4) | (4) | 013 |
| 2,3,9 | | 956645 | .1 | SCREW CONNECTION SET UNF NC | (1) | (1) | 013 |
| 3,5,8 | | 956615 | .1 | SCREW CONNECTION SET STRAIGHT NC | (1) | (1) | 013 |
| 3,5,6 | | 956585 | .1 | SCREW CONNECTION SET BENT NC | (1) | (1) | 013 |
| 3 | | 230387 | .1 | GASKET RING 14.2/18/2 NC | (2) | (2) | 013 |
| 4 | | 840461 | .1 | NIPPLE 13.2/9.5-M14x1.5 NC | (2) | (2) | 013 |
| 5 | | 956577 | .1 | ADAPTER M18x1.5/M14x1.5 NC | (2) | (2) | 013 |
| 6 | | 956580 | .1 | BENT SOCKET ASSY. NC | AR | AR | 013 |
| 7 | | 924585 | .1 | ANGULAR TUBE M14x1.5 NC | AR | AR | 013 |

BRP-Rotax
ILLUSTRATED PARTS CATALOG

| Item No. | Sta-tus | Part No. | In-dent | Description | Parts per Engine | | SI-PAC |
|----------|---------|----------|---------|---|------------------|-----------|--------|
| | | | | | 915 iS A | 915 iSc A | |
| 8 | | 956610 | .1 | HOSE NIPPLE WITH UNION NUT NC | AR | AR | 013 |
| 9 | | 956643 | .1 | ADAPTER 3/4-16 UNF/M14x1.5 NC | (2) | (2) | 013 |
| 10 | | 886106 | .1 | OIL RADIATOR NC | (1b) | (1b) | 013 |

a cooling area 234 cm²

b cooling area 300 cm²

BRP-Rotax
ILLUSTRATED PARTS CATALOG

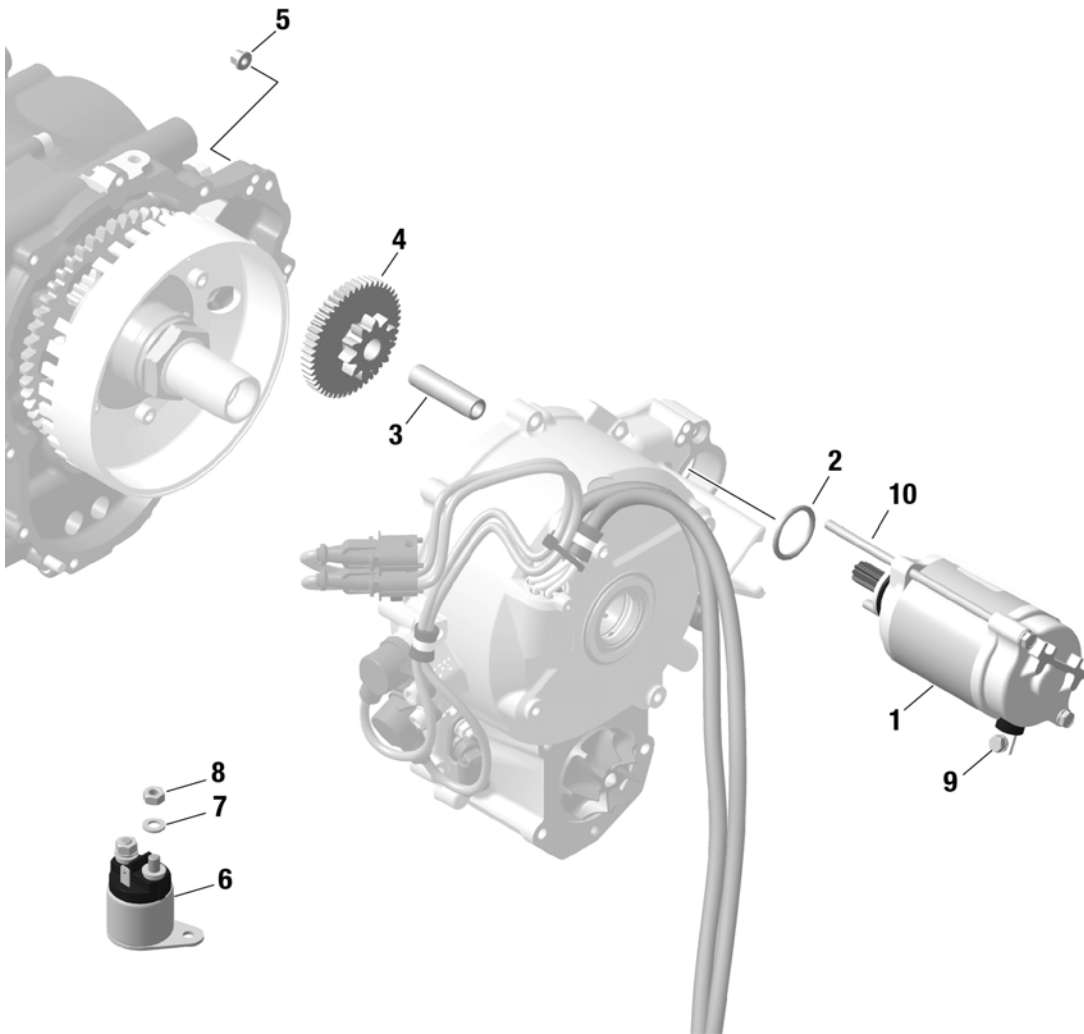
Chapter: 80-10-00
ELECTRIC STARTER, STARTER RELAY

TOPICS IN THIS CHAPTER

ELECTRIC STARTER2

BRP-Rotax
ILLUSTRATED PARTS CATALOG

ELECTRIC STARTER



AE 5iS_0227_a

Figure 15.1: 80-10-00

BRP-Rotax
ILLUSTRATED PARTS CATALOG

| Item No. | Sta-tus | Part No. | In-dent | Description | Parts per Engine | | SI-PAC |
|----------|---------|----------|---------|--|------------------|-----------|--------|
| | | | | | 915 iS A | 915 iSc A | |
| 1-2 | | 685667 | .1 | ELECTRIC STARTER ASSY. 12 V | 1 | 1 | |
| 1-2 | | 685672 | .1 | ELECTRIC STARTER ASSY. 24 V NC | (1) | (1) | 015 |
| 2 | | 250140 | ..2 | O-RING DIN 3771-24.4x3.1-N NBR70 | 1 | 1 | |
| 3 | | 837102 | .1 | IDLE GEAR SHAFT | 1 | 1 | |
| 4 | | 834156 | .1 | IDLE GEAR 50/11 T | 1 | 1 | |
| 5 | | 942311 | ..2 | HEX. NUT M5 | 2 | 2 | |
| 6-8 | | 992818 | .1 | STARTER RELAY ASSY. | 1 | 1 | 017 |
| 7 | | 945831 | ..2 | LOCK WASHER A6 | 2 | 2 | 017 |
| 8 | | 242214 | ..2 | HEX. NUT M6 | 2 | 2 | 017 |
| 9 | | 240457 | .1 | TERMINAL SCREW M5x8 | 1 | 1 | |
| 10 | | 241132 | .1 | SET BOLT M5x143 | 2 | 2 | |

BRP-Rotax
ILLUSTRATED PARTS CATALOG

INTENTIONALLY LEFT
BLANK

BRP-Rotax
ILLUSTRATED PARTS CATALOG

Index

A

airbox..... 1-2

C

Camshaft.....6
cooling air baffle.....7
Crankcase.....2
Crankshaft.....4
crankshaft position sensor assy.....2
Cylinder.....4
cylinder head.....6

D

Documentation, Labels, Repair sets20

E

electric starter 1-2
engine control unit (ECU)..... 1-2
engine suspension frame..... 1-2
Engine view 4
exhaust system..... 1-2
exhaust temperature sensor..... 1-2
expansion tank.....4
external alternator F3A2

F

fuel injector.....7
fuel pump 10
fuel rail7
fuel rail cover7
fuse box2
fuse box regulator1

G

General note.....2

H

hydr. governor.....2

I

ignition cable 1-2
ignition coils..... 1-2
ignition housing.....2
intake manifold..... 1-2
intercooler4
Introduction, explanation, parts order.....3

L

List of effective pages 1
Lubricants 18

O

oil filter5
oil pressure sensor 5, 8
oil pump assy.....5
oil radiator10
oil spray nozzle8
oil tank 1-2
oil temperature sensor..... 5, 8
overload clutch.....5

P

Parts order3
Piston.....4
pressure regulator7
propeller gear assy.....2

R

regulator.....2
Repair tools8
Repeating symbols.....5

S

spark plug.....2
spark plug connector 1-2
spark plugs 1
Sprag Clutch.....4
starter relay 1
stator.....2
Structure6

BRP-Rotax
ILLUSTRATED PARTS CATALOG

| | | |
|----------------------------|----------------------|-----|
| T | valve train.....6 | |
| Table of amendments | 1 | |
| throttle body socket | 1-2 | |
| V | W | |
| valve cover | 6 | |
| | wastegate.....4 | |
| | water pump.....1 | |
| | wiring harness | 1-2 |



Engine serial no.

Type of aircraft

Aircraft registration no.

ROTAX[®] authorized distributor

